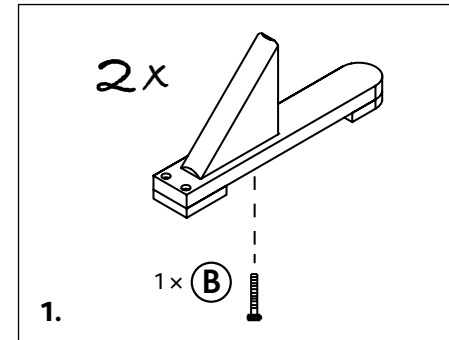


Pos.	Description		White	Brown	Quantity
1	Connection support		39455-12	39454-12	2
2	Grid frame, left		39455-10	39454-10	1
3	Grid frame, right		39455-11	39454-11	1
4	Feet		39455-13	39454-13	2

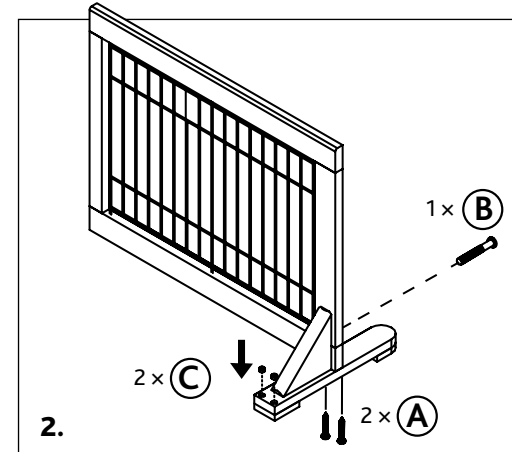
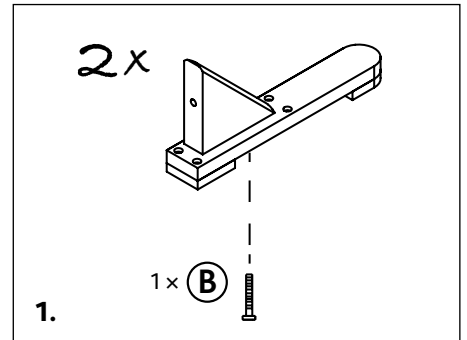
Pos.	Description		White	Brown	Quantity
A	Countersunk screw		39455-20	39454-20	4+1
B	Carriage bolt		39455-20	39454-20	4+1
C	Lids		39455-20	39454-20	4+1

Version A

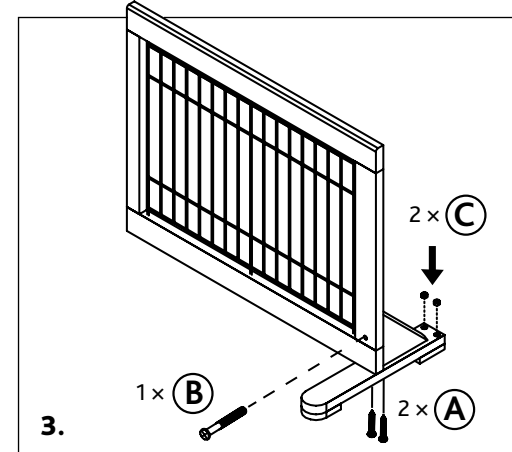
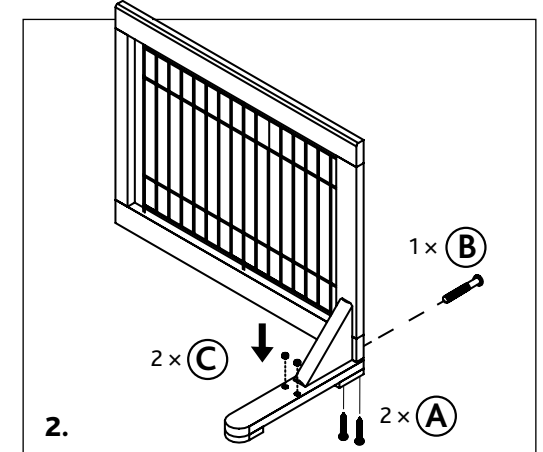


USA Please decide first, for which the dog fencing should be used: in order to block off of rooms/passageways (version A) or to shut off staircases (version B).  
Screw the feet (4) with the connection supports (1).

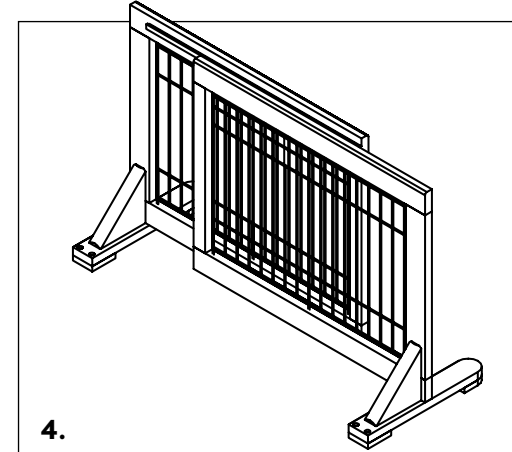
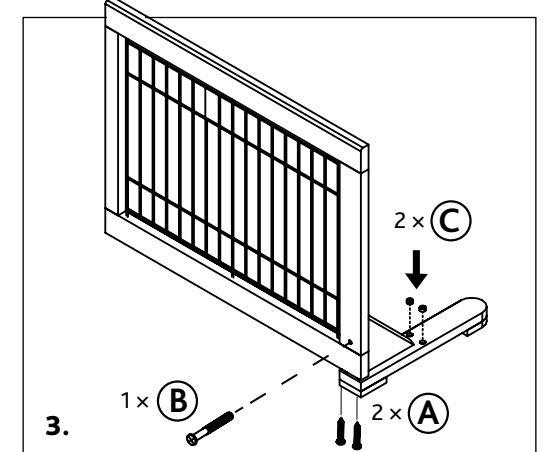
Version B



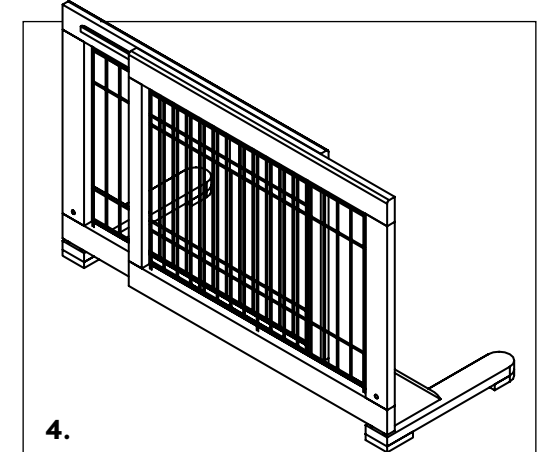
USA Screw the left frame (2) with one support (1) and then with its foot (4).



USA Repeat this with the right side. Put the lids in the remaining holes.



USA Combine both parts.



USA Advice: This product should be assembled by an adult.