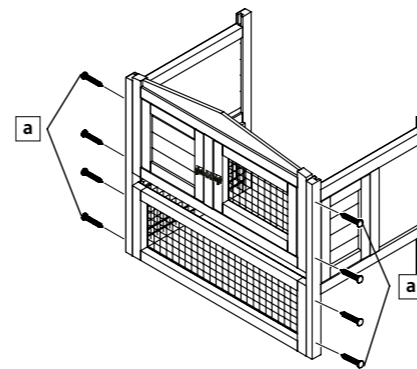


Pos. No.	Description	Measurement	Quantity	Item No.
1	Upper front panel	27.5 x 15 x 1.25 in. (700 x 386 x 35 mm)	1	62339-10
2	Bottom front and back panel	27.5 x 9.25 x 0 x 75 in. (700 x 240 x 25 mm)	2	62339-11
3	Left side panel	23.75 x 18.75 x 1.25 in. (605 x 480 x 35 mm)	1	62339-30
4	Right side panel	23.75 x 18.75 x 1.25 in. (605 x 480 x 37 mm)	1	62339-31
5	Upper back panel	27.5 x 16.75 x 1.25 in. (700 x 431 x 35 mm)	1	62339-20
6	Partition	16.75 x 12 x 0.5 in. (428 x 305 x 13 mm)	1	62339-32
7	Drawer with plastic inlay	27.25 x 17.75 x 1.25 in. (694 x 453 x 38 mm)	1	62339-40
8	Roof plate, left Roof plate, right	20.75 x 16.5 x 1.75 in. (530 x 420 x 45 mm)	2	62339-50 62339-51
9	Ramp	22.25 x 58.25 x 0.5 in. (570 x 180 x 16 mm)	1	62339-41
10	Front and back panel, enclosure	29.5 x 20.75 x 0.75 in. (750 x 530 x 25 mm)	2	62339-12
11	Side panel, enclosure	20.75 x 16.75 x 0.75 in. (530 x 430 x 25 mm)	1	62339-32
12	Upper panel, enclosure	29.5 x 18.75 x 0.75 in. (750 x 480 x 25 mm)	1	62339-52
13	Roof ridge	21.75 x 2.5 x 1.75 in. (556 x 69 x 45 mm)	1	62339-54

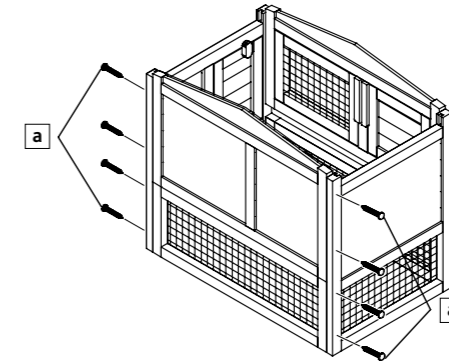
Pos. No.	Description	Measurement	Quantity	Item No.
A	Countersunk screw	∅ 0.137 x 1.771 in. (∅ 3.5 x 45 mm)	22+1	62339-60
B	Countersunk screw	∅ 0.137 x 0.866 in. (∅ 3.5 x 22 mm)	3+1	
C	Countersunk screw	∅ 0.137 x 1.968 in. (∅ 3.5 x 50 mm)	4+1	
D	Countersunk screw	∅ 0.118 x 0.629 in. (∅ 3 x 16 mm)	22+1	
E	Countersunk screw	∅ 0.157 x 0.629 in. (∅ 4 x 16 mm)	16+1	
F	Connection Hocks		5	
G	Checkstrap for left/right		2	

Connect the both front parts with the side panels.



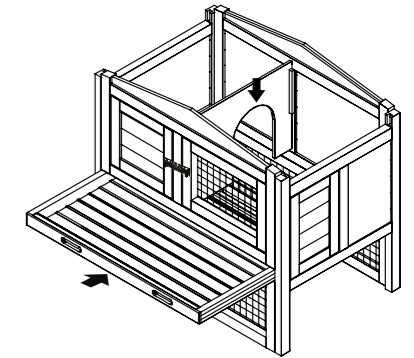
1.

Now screw together back walls and side panels.



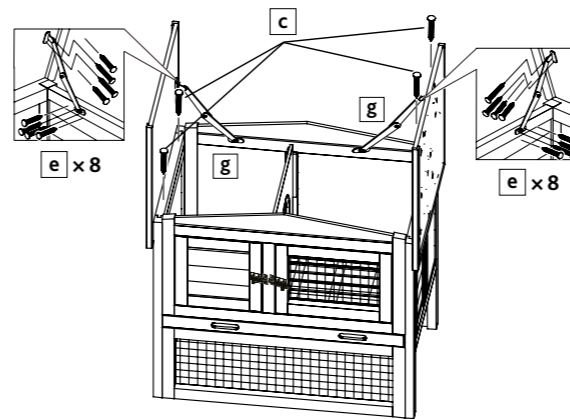
2.

Insert the drawer with plastic inlay and the partition.



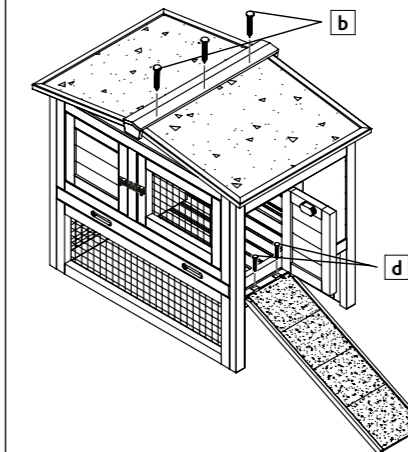
3.

Fasten the roof plates with the hinges and screw the check straps. (screw D)



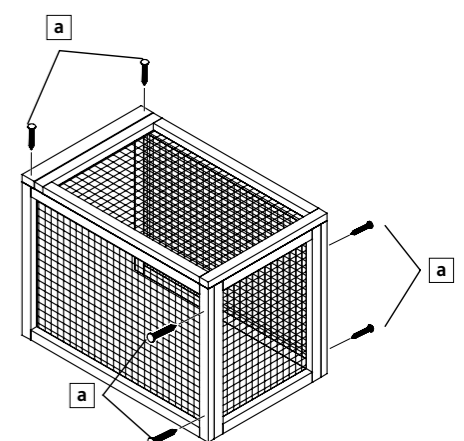
4.

Fasten the roof ridge as well as the ramp.



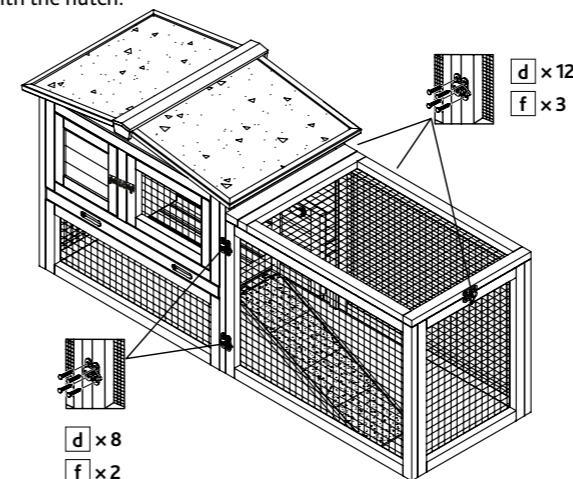
5.

Assemble the enclosure.

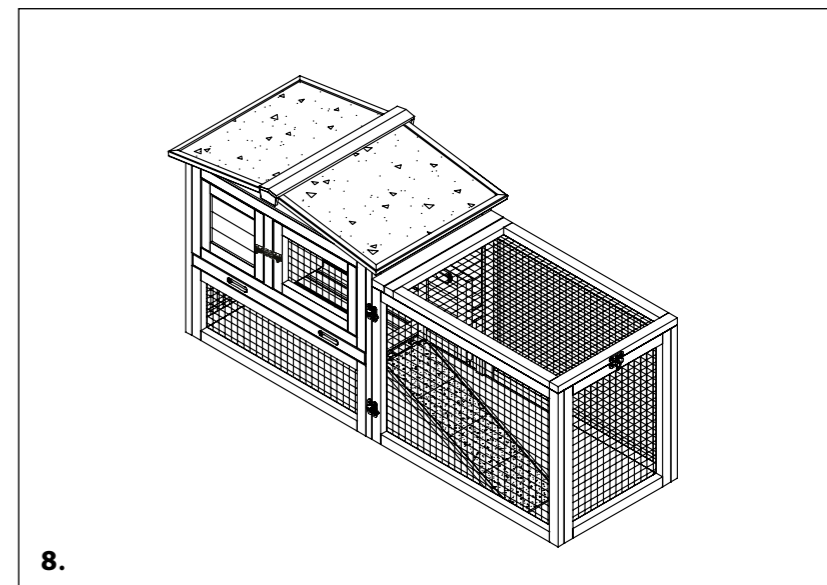


6.

Screw the connection hooks for connecting the enclosure with the hutch.



7.



8.