

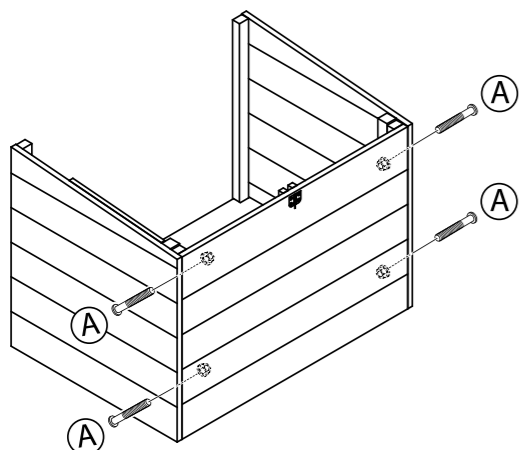
Pos. No.	Description	Measurement	Quantity	Item No.
Pos. 1	Side panel, nesting box, back	14.5 x 14 x 1 in. (374 x 360 x 30 mm)	1	55961-10
Pos. 2	Side panel, nesting box, front	14.5 x 14 x 1 in. (374 x 360 x 30 mm)	1	55961-11
Pos. 3	Side wall, nesting box	19.25 x 13.25 x 1 in. (490 x 342 x 30 mm)	1	55961-12
Pos. 4	Bottom plate, nesting box	19 x 13.75 x 0.75 in. (486 x 346 x 13 mm)	1	55961-13
Pos. 5	Partition wall, nesting box	11.75 x 13.75 x 0.25 in. (300 x 348 x 8 mm)	1	55961-14
Pos. 6	Wall, sleeping house, left	25.75 x 40 x 1.75 in. (650 x 1020 x 45 mm)	1	55961-20
Pos. 7	Roof plate, nesting box	22.5 x 14.75 x 0.75 in. (575 x 380 x 20 mm)	1	55961-15
Pos. 8	Front part, sleeping house	19.5 x 40 x 0.75 in. (500 x 1020 x 25 mm)	1	55961-21
Pos. 9	Back wall, sleeping house	19.5 x 37.75 x 0.75 in. (500 x 960 x 25 mm)	1	55961-22
Pos. 10	Wall, sleeping house, right	25.5 x 24.5 x 2.5 in. (650 x 620 x 60 mm)	1	55961-23
Pos. 11	Front part, enclosure	30.5 x 40 x 0.75 in. (780 x 1020 x 25 mm)	1	55961-30
Pos. 12	Back part, enclosure	30.5 x 37.75 x 0.75 in. (780 x 960 x 25 mm)	1	55961-31
Pos. 13	Support for ramp	9.25 x 1.75 x 0.75 in. (235 x 50 x 20 mm)	1	55961-40
Pos. 14	Ramp	29 x 9.25 x 0.75 in. (742 x 235 x 20 mm)	1	55961-41
Pos. 15	Side wall, enclosure, right	25.5 x 40 x 0.75 in. (650 x 1020 x 25 mm)	1	55961-32
Pos. 16	Chicken perch	ø 1 x 17.5 in. (ø 30 x 456 mm)	1	55961-42
Pos. 17	Drawer with plastic inlay	16.5 x 26.5 x 1.75 in. (425 x 674 x 50 mm)	2	55961-43
Pos. 18	Roof plate, left	22.75 x 30.5 x 1.25 in. (580 x 775 x 35 mm)	1	55961-50
Pos. 19	Roof plate, right	30.5 x 30.5 x 1.25 in. (780 x 775 x 35 mm)	1	55961-51
Pos. 20	Cover strip for roof plates	27.5 x 1.75 x 0.25 in. (700 x 50 x 8 mm)	1	55961-52

Pos. No.	Description	Size	Quantity	Item No.	
A	Lenshead screw with nut	M6 x 2.25 in. (M6 x 60 mm)	4+1	55961-60	
B	Thread screw with nut	M6 x 1.75 in. (M6 x 45 mm)	4+1		
C	Countersunk screw	ø 0.25 x 2.25 in. (ø 3.5 x 60 mm)	3+1		
D	Countersunk screw	ø 0.25 x 1.75 in. (ø 3.5 x 45 mm)	18+1		
E	Countersunk screw	ø 0.25 x 0.75 in. (ø 3 x 22 mm)	4+1		
F	Countersunk screw	ø 0.25 x 0.5 in. (ø 3 x 16 mm)	15+1		
G	Countersunk screw, black	ø 0.25 x 0.5 in. (ø 3 x 16 mm)	2+1		
H	Countersunk screw, black	ø 0.25 x 0.75 in. (ø 3.5 x 20 mm)	4+1		
I	Check strap, left/right	1 in. (28 mm)	2/1		6235-60 6235-61
J	Lenshead screw	ø 0.25 x 0.5 in. (ø 4 x 16 mm)	24+1		

Other parts already assembled (spare parts separately available)

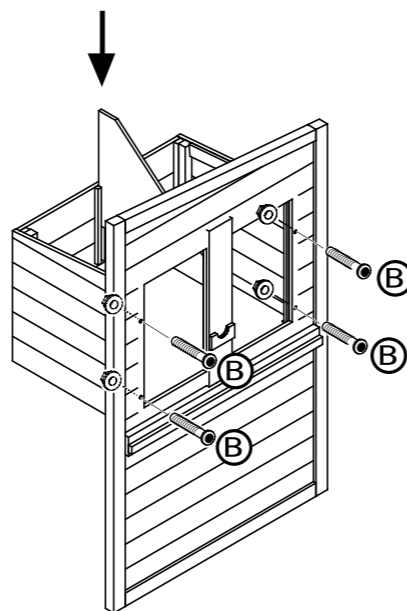
Pos. No.	Description	Size	Quantity	Item No.
	Hinge for the left wooden door, incl. screws	1.75 in. (5 cm)	2	6235-72
	Hinge for the right wire door and roof of the house, incl. screws	2.75 in. (7.1 cm)	8	6235-74
	Hinge for roof of the nesting box, incl. screws	2.5 in. (6.6 cm)	2	6235-75

EN First assemble the nesting box:  
Connect the both side panels (1/2) with the back wall (3) and the bottom plate (4).



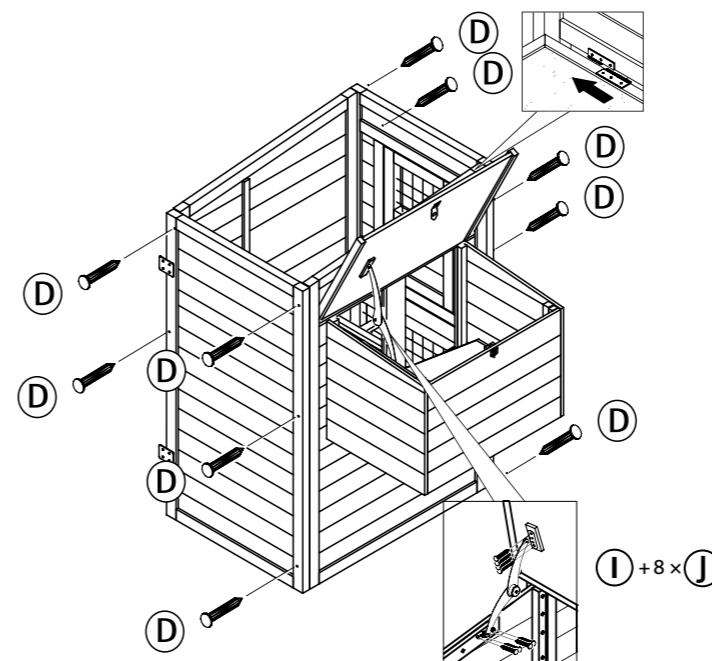
1.

EN Fix the nesting box to the left side of the sleeping house (6) and insert the partition (5).



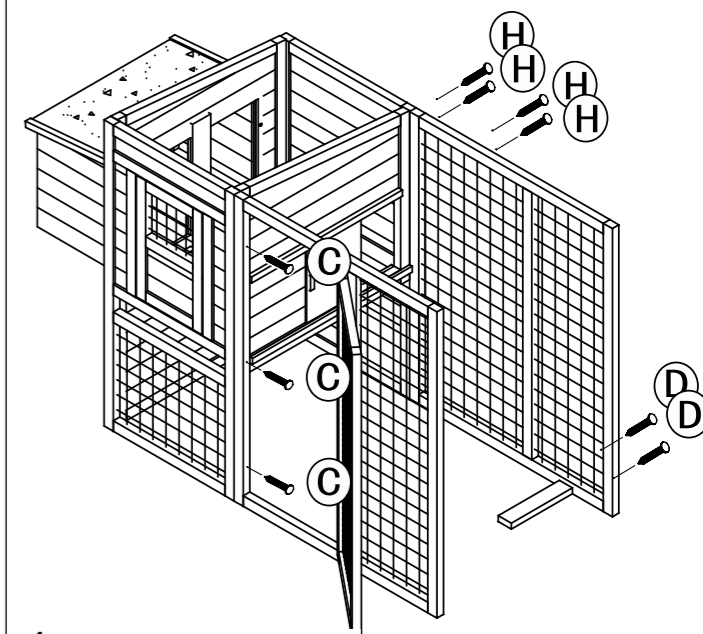
2.

EN Fasten the front part (8) and the back wall (9) with the left and the right side wall (6/10) of the sleeping house. Then assemble the roof of the nesting box and screw the left check strap (I) to the roof of the nesting box.



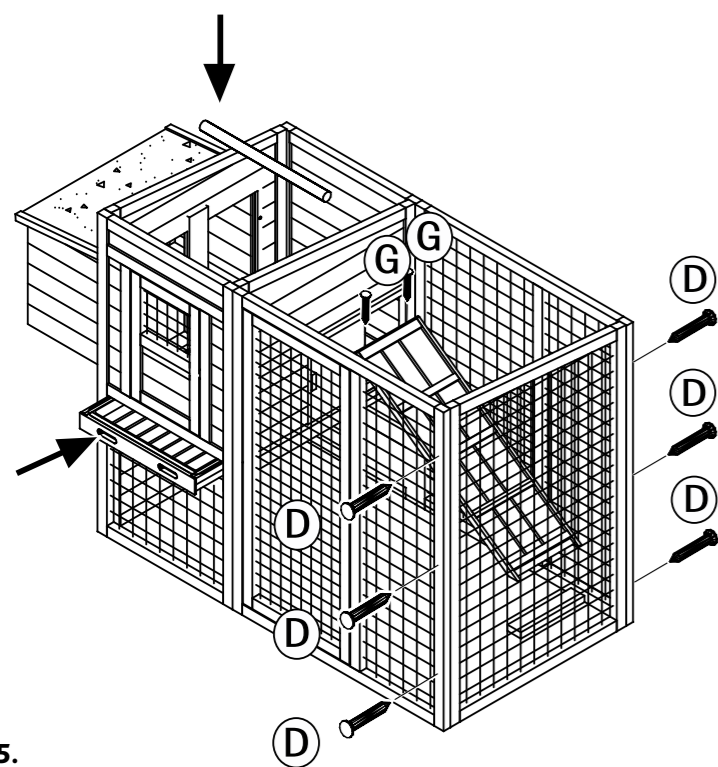
3.

EN Screw the front of the enclosure (11) with the sleeping house. Then screw the back panel (12) by the metal connection. Last fix the support for the ramp (13).



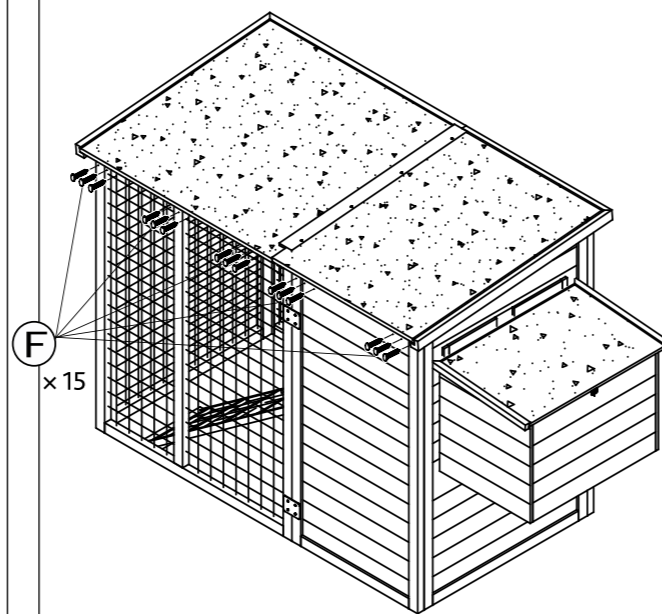
4.

EN Fix the ramp (14). Then assemble the right side panel. (15) Insert the drawer (17) and perch (16).



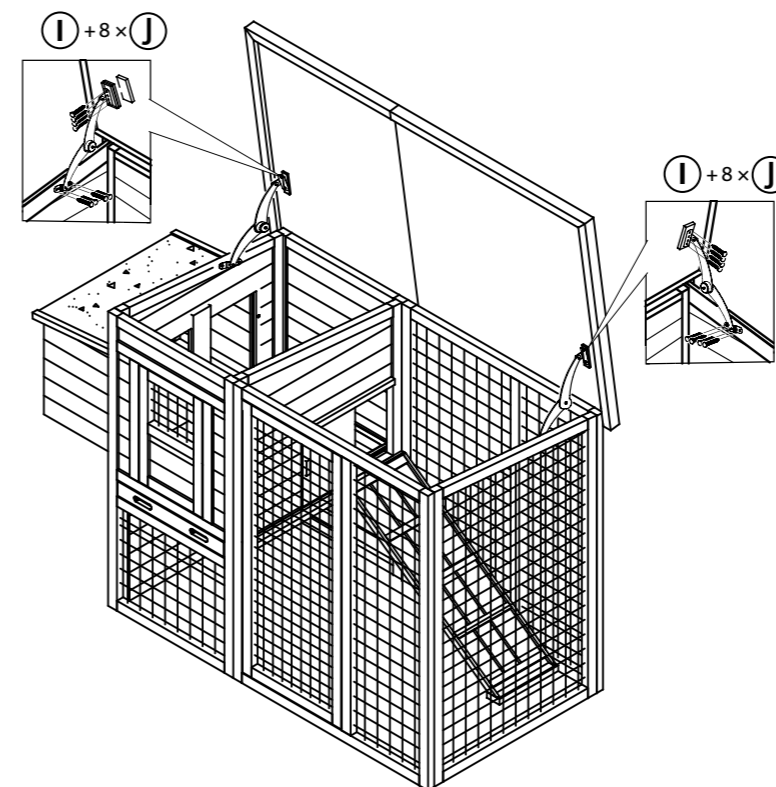
5.

EN Screw both roof plates (18/19).



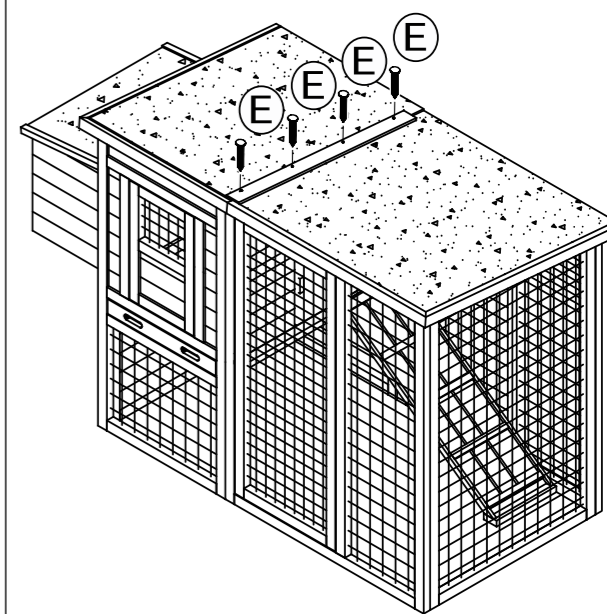
6.

EN Now screw the both check straps (I).



7.

EN Finally screw the cover strip (20) over the gap between the roof plates.



8.