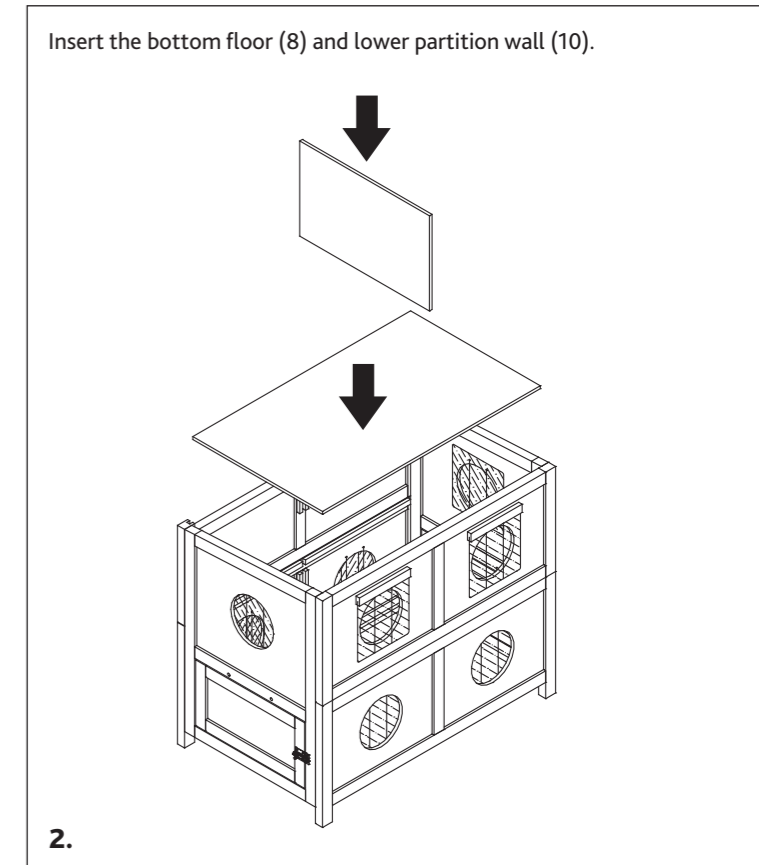
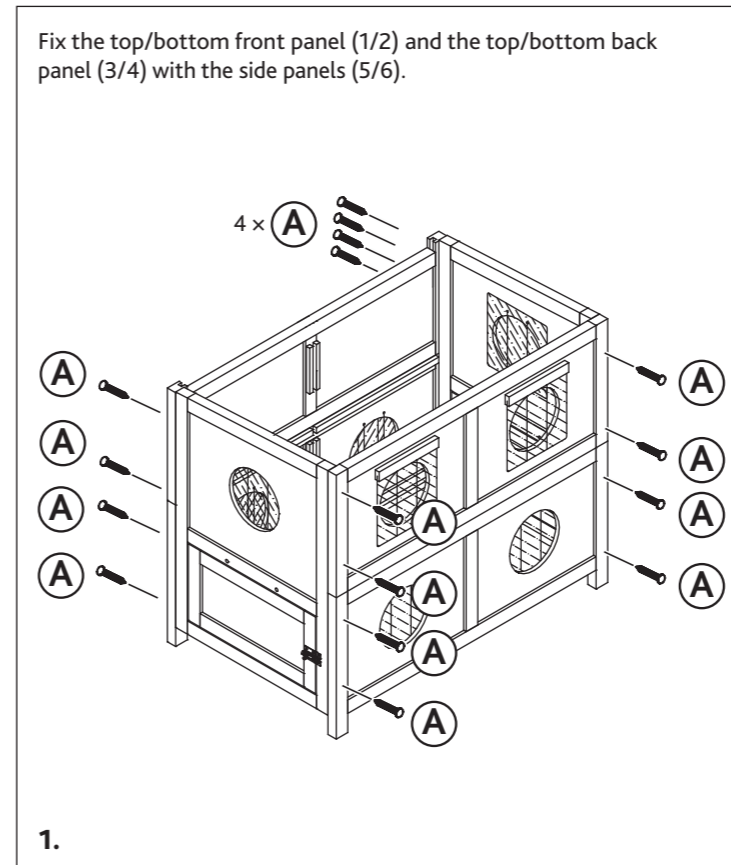


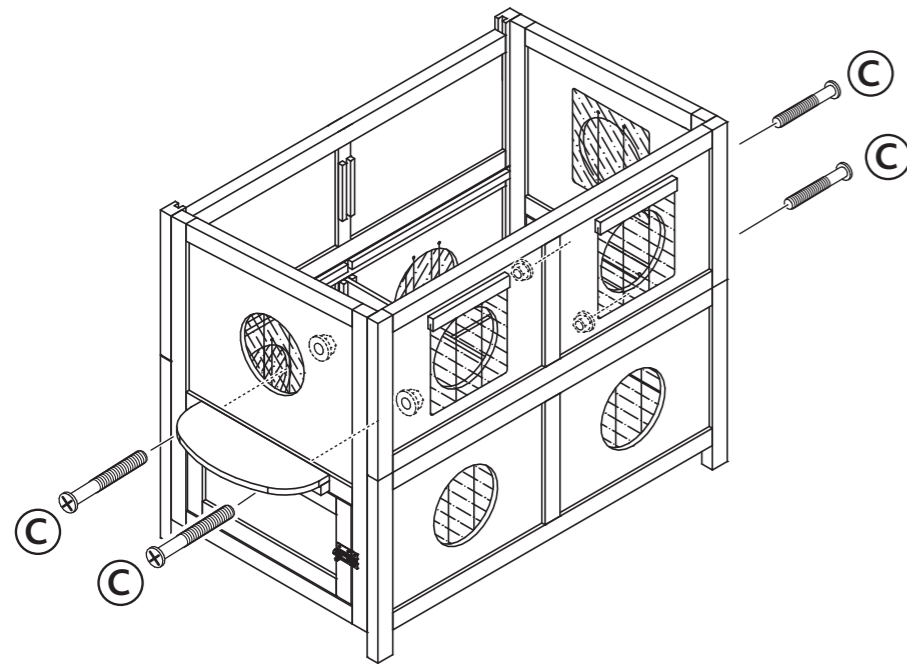
Pos.	Description	Measurement	Quantity	Item
1	Top front panel	32.25 x 1.25 x 12.5 in. (820 x 35 x 320 mm)	1	44117-10
2	Bottom front panel	32.25 x 1.25 x 14.5 in. (820 x 35 x 370 mm)	1	44117-11
3	Top back panel	32.25 x 1.25 x 11.5 in. (820 x 35 x 294 mm)	1	44117-20
4	Bottom back panel	32.25 x 1.25 x 14.5 in. (820 x 35 x 370 mm)	1	44117-21
5	Left side panel	25 x 1.25 x 18.5 in. (640 x 35 x 476 mm)	1	44117-30
6	Right side panel	25 x 1.25 x 18.5 in. (640 x 35 x 476 mm)	1	44117-31
7	Platform	11.75 x 1.25 x 4.5 in. (300 x 32 x 120 mm)	2	44117-40
8	Upper and bottom floor	30 x 17.75 x 0.35 in. (766 x 9 x 456 mm)	2	44117-41
9	Upper partition wall	17.75 x 12 x 0.35 in. (456 x 9 x 310 mm)	1	44117-42
10	Lower partition wall	17.75 x 11.25 x 0.35 in. (456 x 9 x 290 mm)	1	44117-43
11	Roof	34.25 x 22 x 1.5 in. (875 x 42 x 565 mm)	1	44117-50

Pos.	Description	Size	Quantity	Item
A	Countersunk screw	0.137 x 1.771 in. (Ø3.5 x 45 mm)	20+1	44117-60
B	Countersunk screw	0.157 x 0.629 in. (Ø4 x 16 mm)	16+1	
C	Rounded head screw with nut	0.236 x 2.165 in. (M6 x 55 mm)	4+1	
D	Checkstrap	11 in. (280 mm)	2	

EN Made in China.

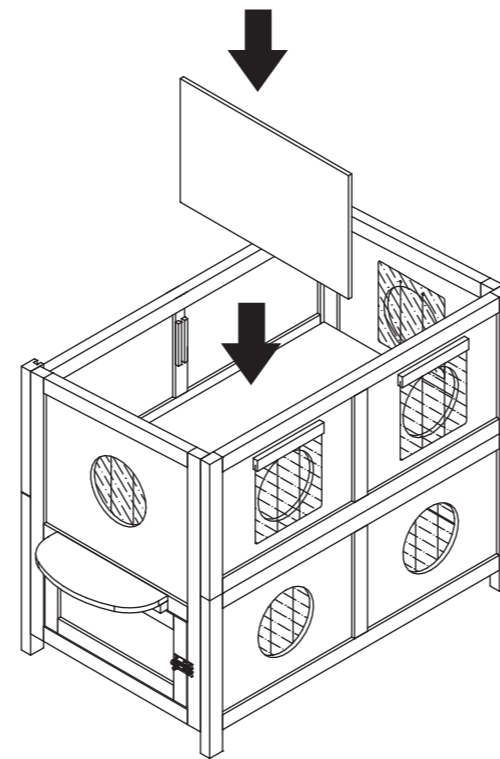


Fix the platforms (7) to the side panels.



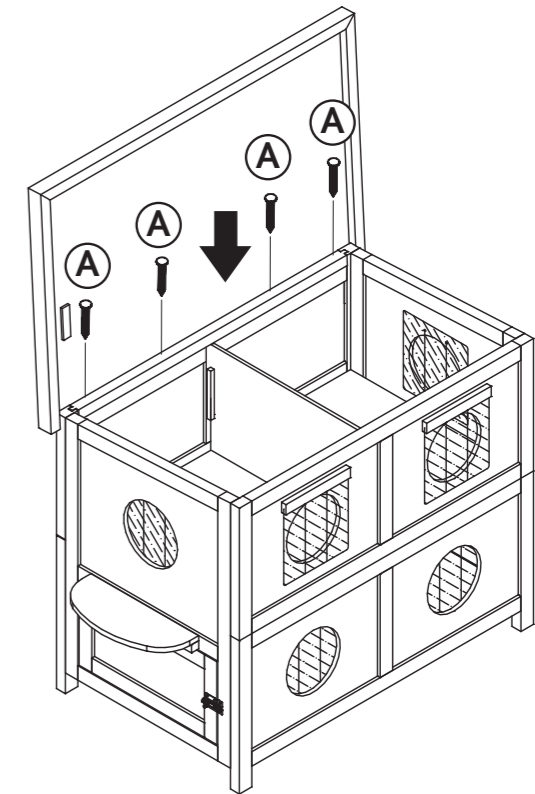
3.

Insert the upper floor (8) and upper partition wall (9).



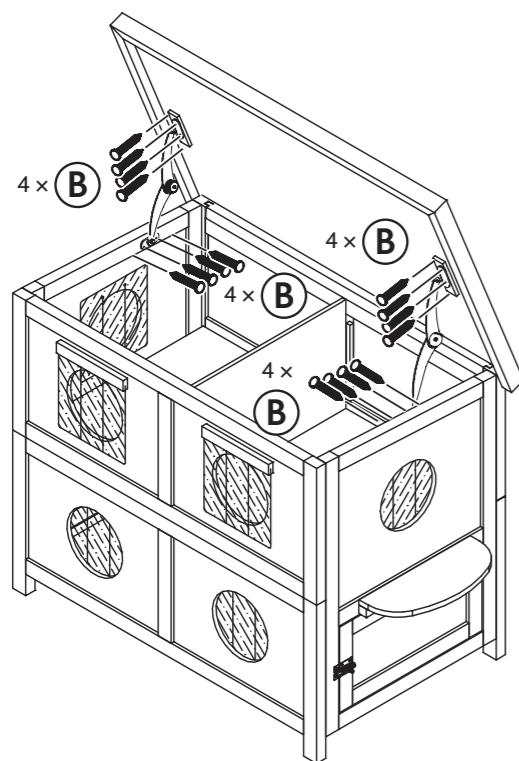
4.

Fix the roof (11).



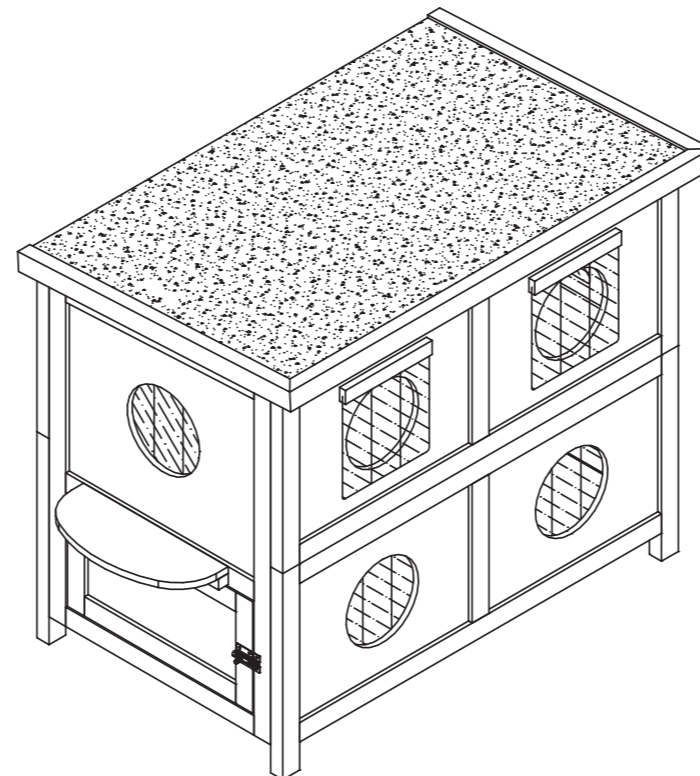
5.

Fix the checkstraps (D) to the roof and inner side panels.



6.

Finish.



7.