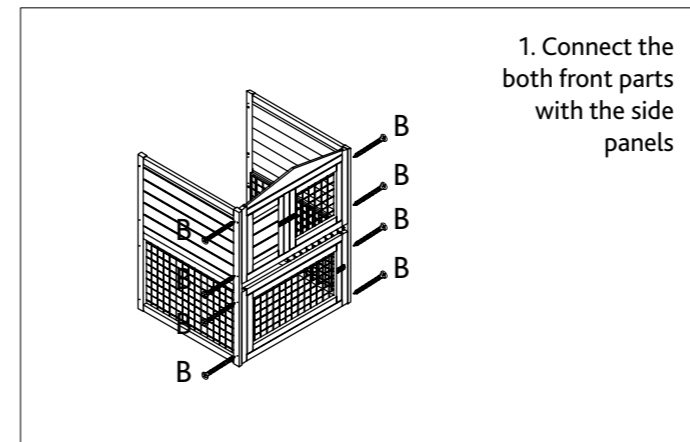
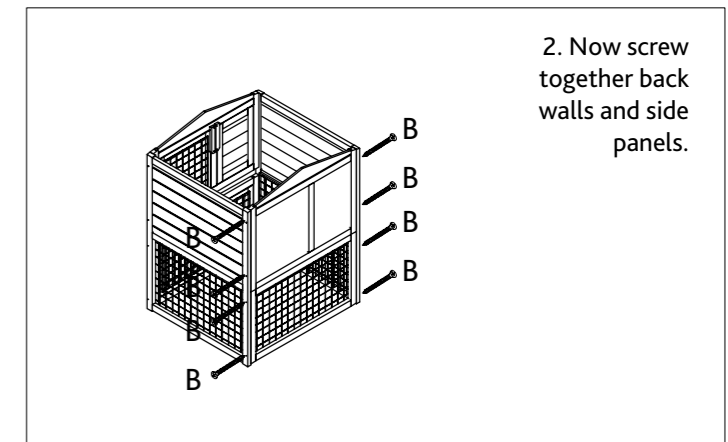


Pos. No.	Description	Measurement	Quantity	Item No.
Pos. 1	Upper front panel	27.6 × 18.6 × 0.7 in. (679 × 473 × 20 mm)	1	62338-10
Pos. 2	Bottom front panel	27.6 × 15.7 × 0 × 0.7 in. (679 × 399 × 20 mm)	1	62338-11
Pos. 3	Left side panel	25.5 × 33.9 × 0.7 in. (648 × 862 × 20 mm)	1	62338-30
Pos. 4	Right side panel	25.5 × 33.9 × 0.7 in. (648 × 862 × 20 mm)	1	6233-31
Pos. 5	Upper back panel	27.6 × 20.3 × 0.7 in. (679 × 517 × 20 mm)	1	62338-20
Pos. 6	Bottom back panel	27.6 × 15.7 × 0 × 0.7 in. (679 × 399 × 20 mm)	1	62338-21
Pos. 7	Middle-floor backside	26.5 × 7.7 × 0.4 in. (675 × 197 × 12 mm)	1	62338-23
Pos. 8	Ramp	26.8 × 6.4 × 0.7 in. (681 × 163 × 20 mm)	1	62338-41
Pos. 9	Pamp cover	10.7 × 6.2 × 0.4 in. (272 × 159 × 12 mm)	1	62338-42
Pos. 10	Partition	23.7 × 15.6 × 0.6 in. (604 × 397 × 15 mm)	1	62338-32
Pos. 11	Drawer with plastic inlay	26.5 × 16.9 × 1.5 in. (675 × 431 × 40 mm)	1	62338-40
Pos. 12	Roof plate, left Roofplate, right	16 × 27.4 × 0.7 in. (407 × 698 × 18 mm) 16 × 27.4 × 0.7 in. (407 × 698 × 18 mm)	1+1	62338-50 62338-51
Pos. 13	Roof ridge	2.7 × 1.8 × 28.5 in. (69 × 48 × 724 mm)	1	62338-54

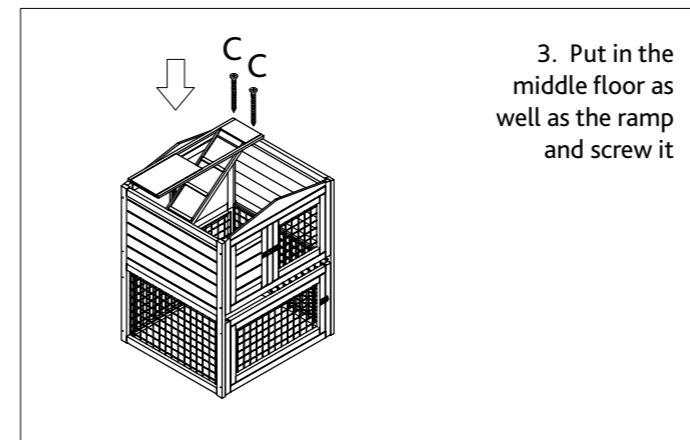
Pos. No.	Description	Measurement	Quantity	Item No.
A	Countersunk screw	M3 × 23	3+1	62338-60
B		M4 × 45	16+1	
C		M3 × 16	22+1	
D	Check straps for roof left/right		2	



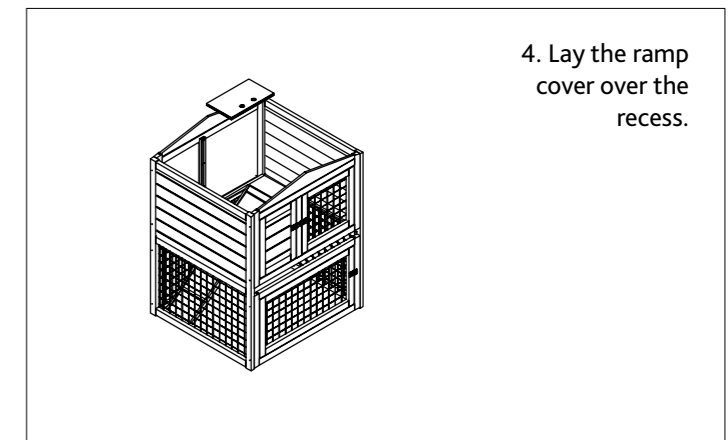
1. Connect the both front parts with the side panels



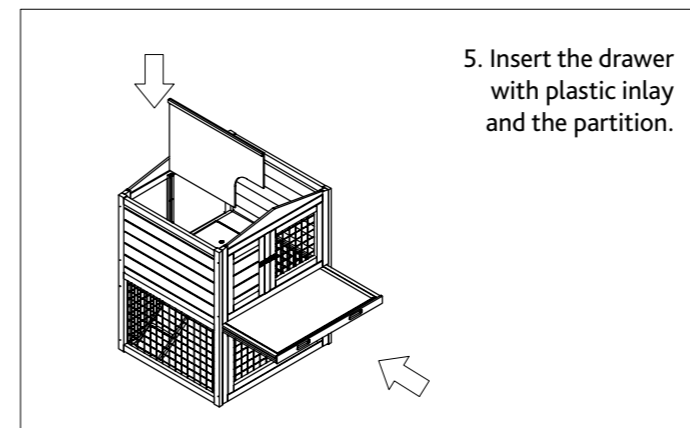
2. Now screw together back walls and side panels.



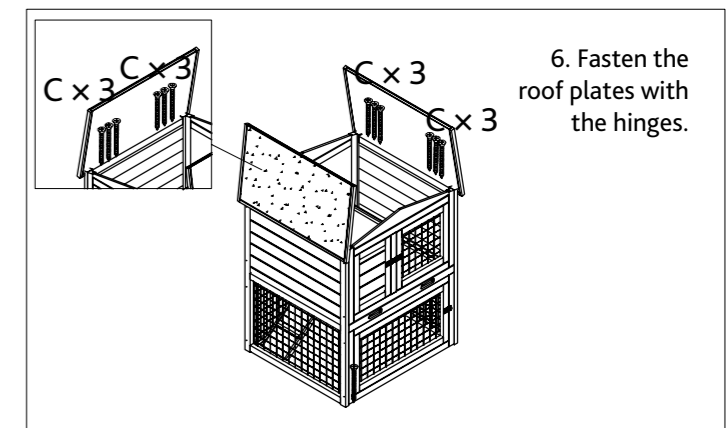
3. Put in the middle floor as well as the ramp and screw it



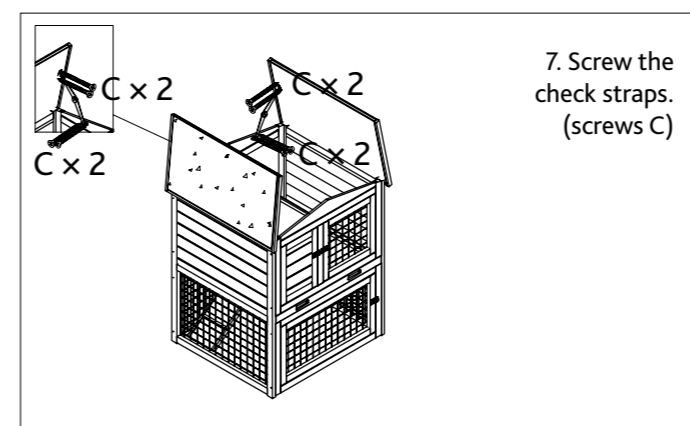
4. Lay the ramp cover over the recess.



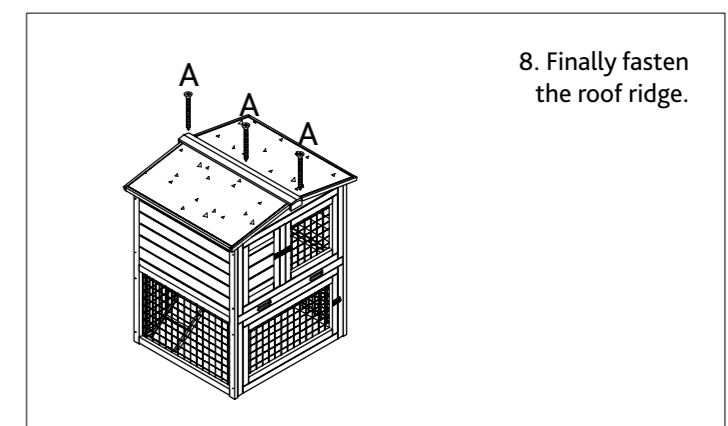
5. Insert the drawer with plastic inlay and the partition.



6. Fasten the roof plates with the hinges.



7. Screw the check straps. (screws C)



8. Finally fasten the roof ridge.