

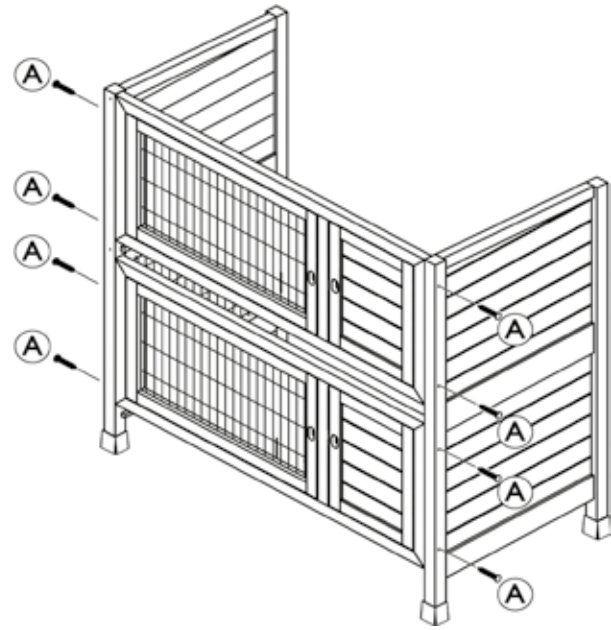
Pos. No	Description	Measurement	Quantity	Item No.
Pos. 1	Front parts with door, top/bottom	39.9 × 16.5 × 0.8 in. (1015 × 420 × 22 mm)	2	62402-10
Pos. 2	Side panel, left	42.6 × 22.1 × 0.8 in. (1084 × 562 × 22 mm)	1	62402-30
Pos. 3	Side panel, right	42.6 × 22.1 × 0.8 in. (1084 × 562 × 22 mm)	1	62402-31
Pos. 4	Back wall, top	41.6 × 17.9 × 0.4 in. (1059 × 455 × 12 mm)	1	62402-20
Pos. 5	Back wall, bottom	41.6 × 16.5 × 0.4 in. (1059 × 420 × 12 mm)	1	62402-21
Pos. 6	Roof, including hinges	45.6 × 25.5 × 1.3 in. (1160 × 650 × 34 mm)	1	62402-50
Pos. 7	Rear hatch	39.8 × 7.0 × 1.1 in. (1011 × 180 × 30 mm)	1	6235-31
Pos. 8	Ramp	34.0 × 5.7 × 0.7 in. (865 × 147 × 18 mm)	1	62402-41
Pos. 9	Upper partition	16.4 × 21.1 × 0.3 in. (419 × 538 × 8 mm)	1	62402-32
Pos. 10	Lower partition	21.1 × 16.4 × 0.3 in. (538 × 419 × 8 mm)	1	62402-33
Pos. 11	Drawer with plastic inlay, top	39.7 × 22.1 × 1.9 in. (1009 × 562 × 50 mm)	1	62402-40
Pos. 12	Drawer with plastic inlay, bottom	39.7 × 15.0 × 1.9 in. (1009 × 382 × 50 mm)	1	62402-43

Pos. No	Description	Measurement	Quantity	Item No.
A	Countersunk screw	∅ 0.1 × 1.7 in. (∅ 3.8 × 45 mm)	8+1	6240-60
B	Countersunk screw	∅ 0.1 × 1.1 in. (∅ 3.8 × 30 mm)	13+1	
C	Countersunk screw	∅ 0.1 × 0.6 in. (∅ 3 × 16 mm)	2+1	
D	Check strap, right and left	11.0 in. (28 cm)	1	6235-60
E	Countersunk screw	∅ 0.1 × 0.6 in. (∅ 3.8 × 16 mm)	8+1	
F	Metal fixation for ramp	6.4 × 1.1 × 1.1 in. (164 × 30 × 30 mm)	1	6240-60
G	Lenshead screw with nut	M4 × 1.1 in. (M4 × 30 mm)	2+1	
H	Lock heart-shaped	∅ 2.1 in. (∅ 5.5 cm)	1	6235-56

Other parts already assembled (spare parts separately available)

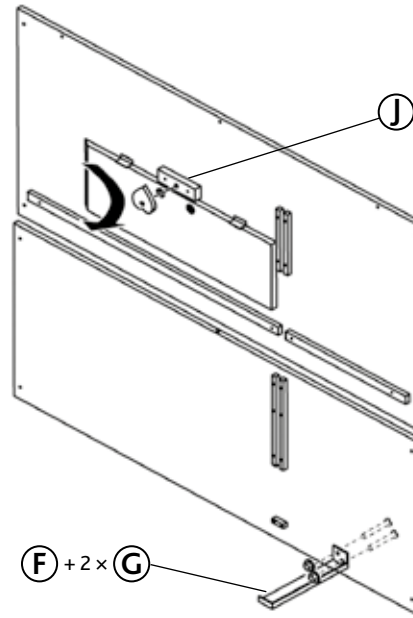
Description	Measurement	Quantity	Item No.
Hinge, narrow, for small door	1.4 in. (3.8 cm)	2	6235-70
Hinge, for door or roof	1.9 in. (5 cm)	8	6235-72
Hinge, for roof	2.9 in. (7.6 cm)	2	6235-74

ⓔⓃ Screw the left and right side panel (2/3) with the upper and lower front parts (1).



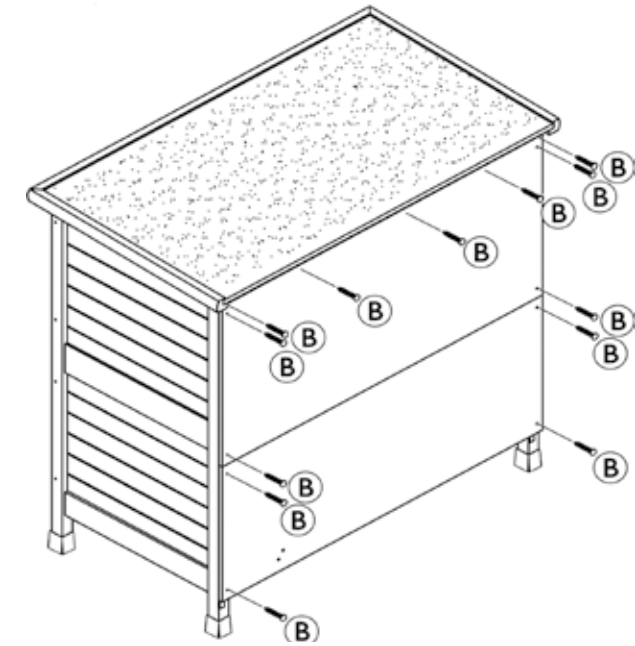
1.

ⓔⓃ Fix the heart-shaped lock (J) to the upper part of the back panel (4). The metal fixation of the ramp (F) has to be fixed to the lower edge of the back panel (5).



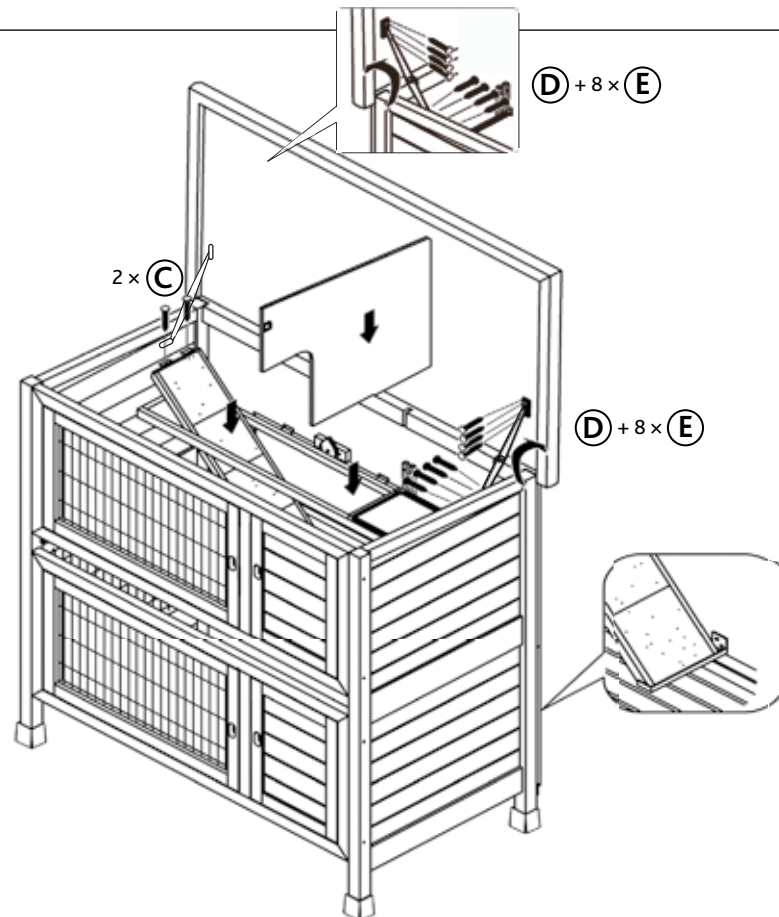
2.

ⓔⓃ Screw both back walls (4/5) with the side panels (2/3) and fix the roof (6).



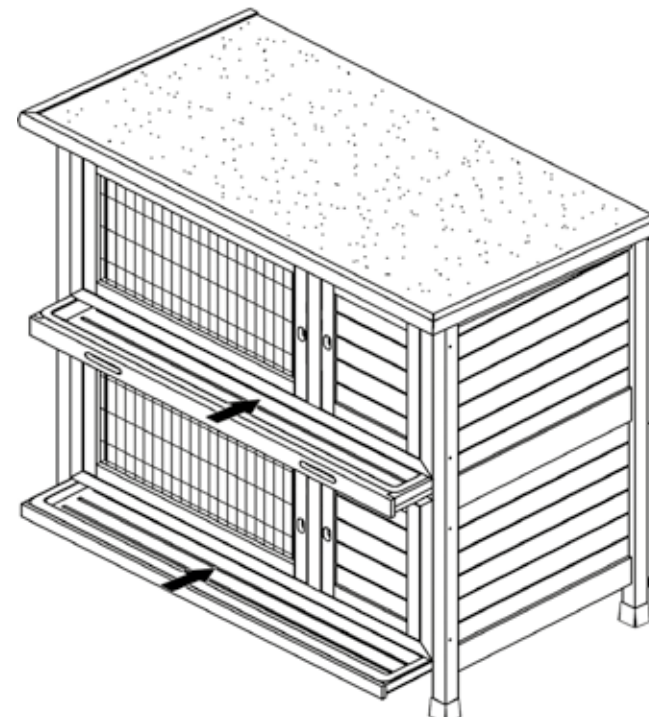
3.

ⓔⓃ Open the roof (6) and fix the right side and left side check straps (C). Insert the rear hatch (7), Put in the ramp (8) and tighten it. The foot of the ramp has to stand in the metal fixation (F). Insert the upper partition (9).



4.

ⓔⓃ Screw the locking bolts (H) between the doors. Insert the upper and lower drawer with plastic inlay (11/12).



5.

ⓔⓃ To get two separate floors remove the ramp and close the hatch.