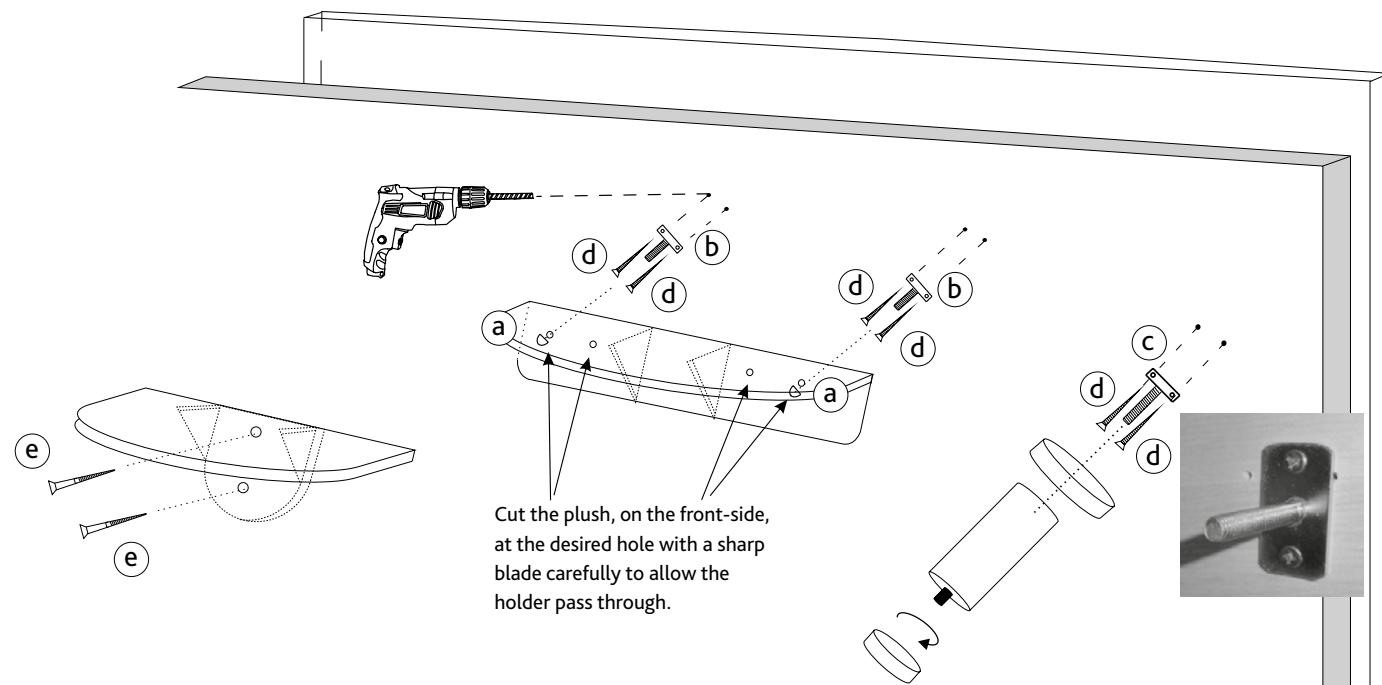


Item No.		Color	
49925	Wall Mounted Cat Playground	brown	

Description	Measurement	Quantity	Item No.
Large Platform	48 x 16 x 33 cm 121,9 x 40,6 x 27,9 in.	1	49925-10
Small platform	20 x 15 x 25 cm 50,8 x 38,5 x 63,5 in.	1	49925-11
Wall mounting step	ø 18 x 22 cm ø 45,7 x 55,8 in.	3	49924-12
Hardware Set		1	49925-60

Pos. No.	Description	Measurement	Quantity
a	Screw cap		2
b	Holder screw	50 x 27 x 28 mm 1,9 x 1,0 x 1,1 in.	2
c	Holder screw	50 x 27 x 48 mm 1,9 x 1,0 x 1,8 in.	3
d	Wood screw	60 mm 2,3 in.	10
e	Wood Screw	M6 x 90 mm M6 x 3,5 in.	2
f	Key	M6	1

Mounting wooden wall



EN Work steps for wooden wall.

First Step

Bring the product in final position and mark the screw-points in desired location. Use a spirit level or have someone eyeball to make sure the holes are levelled.

Second Step

Mount the metal holder with attached wood screws to wooden wall at pilot markings.

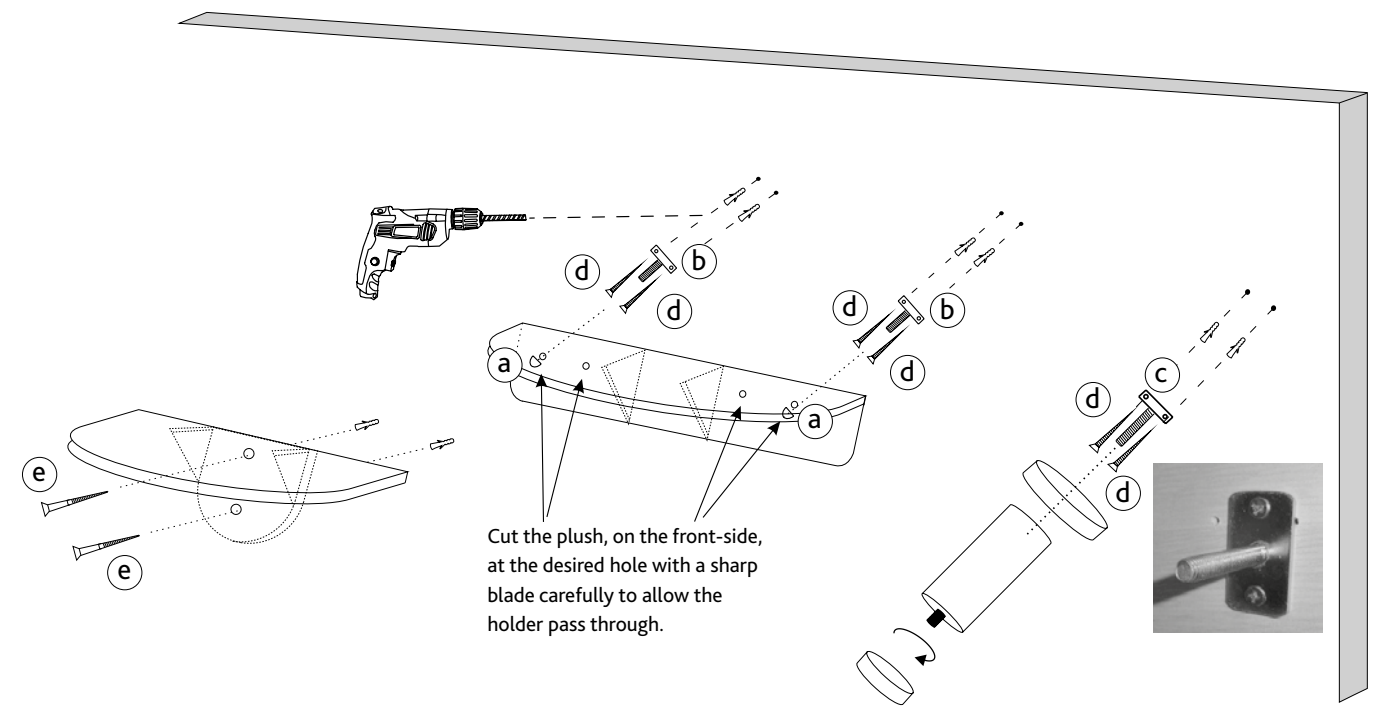
Final Step

Mount the large platform and steps to the metal holder tighten with enclosed nut. Mount the short platform via attached screws to the anchor.

Advice:

Please note the secure assembly and mounting requires one adult person.

Mounting stonewall with anchors



EN Work steps for stone wall

First Step

Bring the product in final position and mark the screw-points in desired location. Use a spirit level or have someone eyeball to make sure the holes are levelled.

Second Step

Drill 3/16" holes, be sure to keep the drill level.

Third Step

Insert 3/16" wall anchors (not included) into drilled holes (some anchors might require a hammer).

Fourth Step

Mount the metal holder with screws matching wall anchor (not included) to the wall.

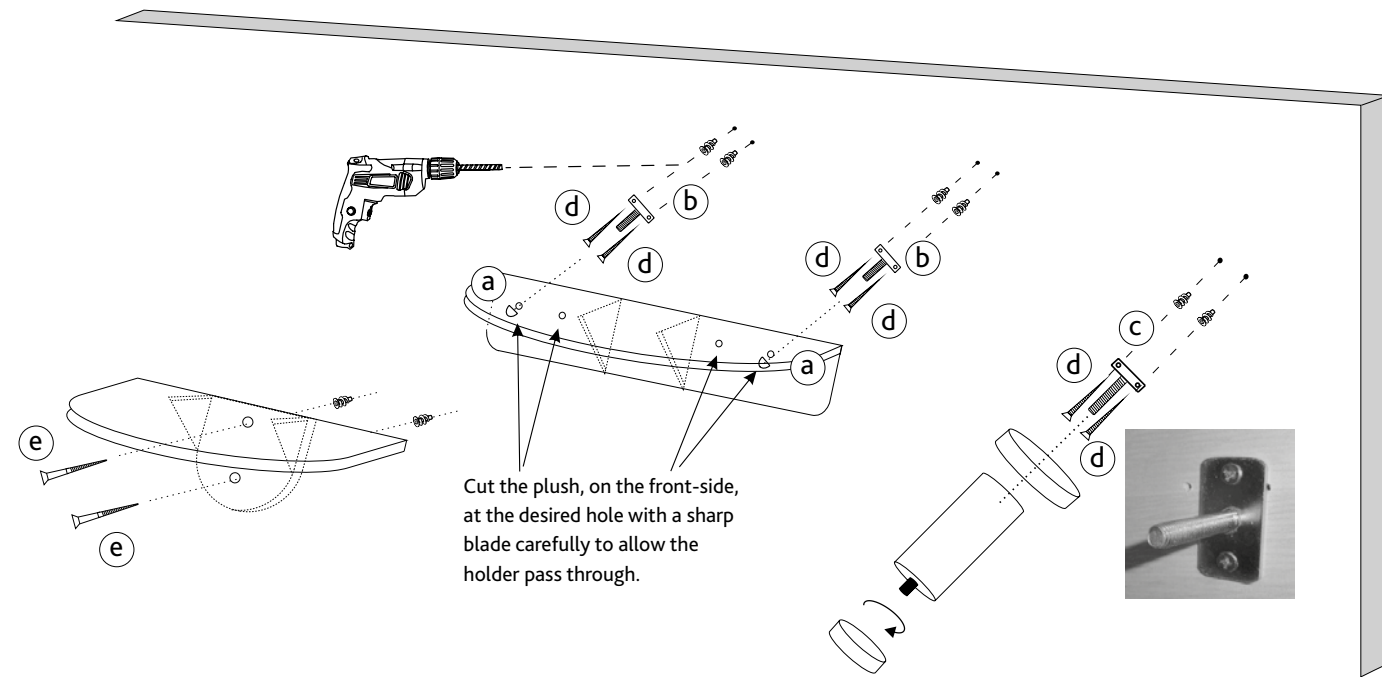
Final Step

Mount the large platform and steps to the metal holder tighten with enclosed nut. Mount the short platform via attached screws to the anchor.

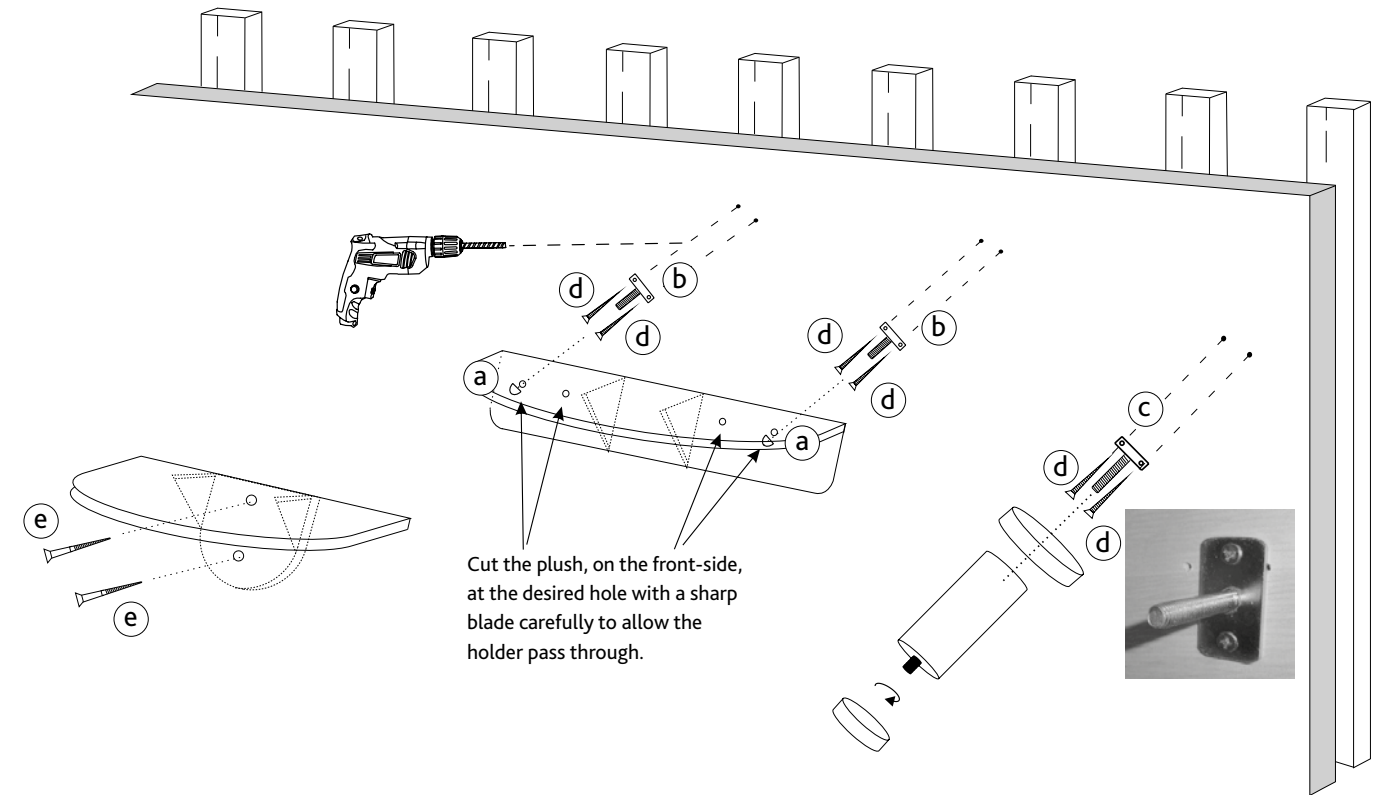
Advice:

Please note the secure assembly and mounting requires one adult person.

Mounting with drywall anchor



Mounting 16" wooden stud



EN Work steps for drywall with wooden drywall stud

When using drywall anchors, we strongly recommend combining the drywall connection with at least one screw to a stud for a more solid connection. Be careful not to break the drywall panel.

First Step

Please use a pencil. Bring the products in final position and mark the screw-point on the center of the wall. Use a spirit level or have someone eyeball to make sure the holes are levelled.

Second Step

If you use self-drilling wall anchors a pilot hole is not needed. Use your drill and the 1/16" bit to make pilot holes for maximum 1 inch to markings. Insert wall anchors (not included). Be careful not to break the drywall panel.

Third Step

Mount the metal holder with screws to the wall anchor make sure the screws are fastened securely.

Final Step

Mount the condo to the metal holder tighten with enclosed nut. Hook the assembled hammock to the mounted metal holder. Connect the steps to the metal holder and attach cap.

Advice:

Please note the secure assembly and mounting requires one adult person.

EN Work steps for drywall with wooden drywall stud

First Step

Use a stud-finder or other technique to locate the studs. Please use a pencil. Bring the products in final position and mark the screw-point on the center of the wall. Use a spirit level or have someone eyeball to make sure the holes are levelled.

Second Step

Mount the metal holder with attached screws to studs at pilot markings. Be careful not to break the drywall panel.

Final Step

Mount the large platform and steps to the metal holder tighten with enclosed nut. Mount the short platform via attached screws to the stud

Advice:

Please note the secure assembly and mounting requires one adult person.