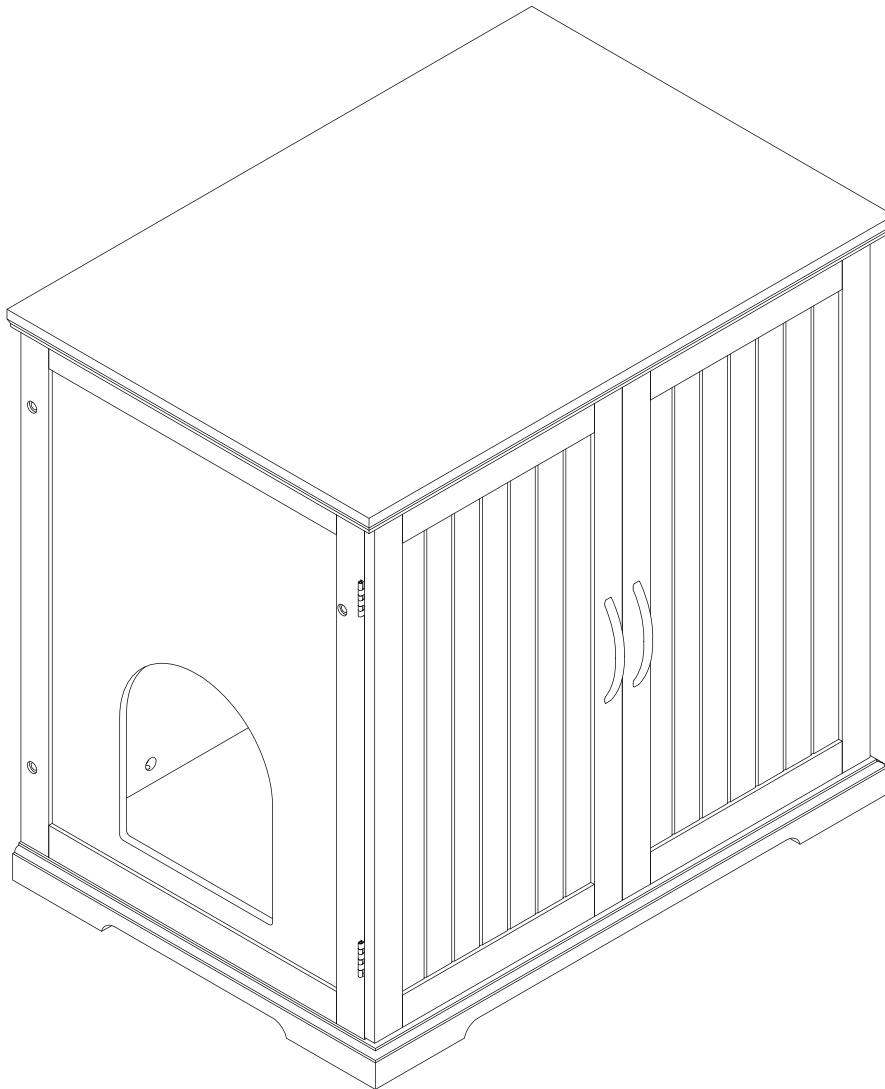
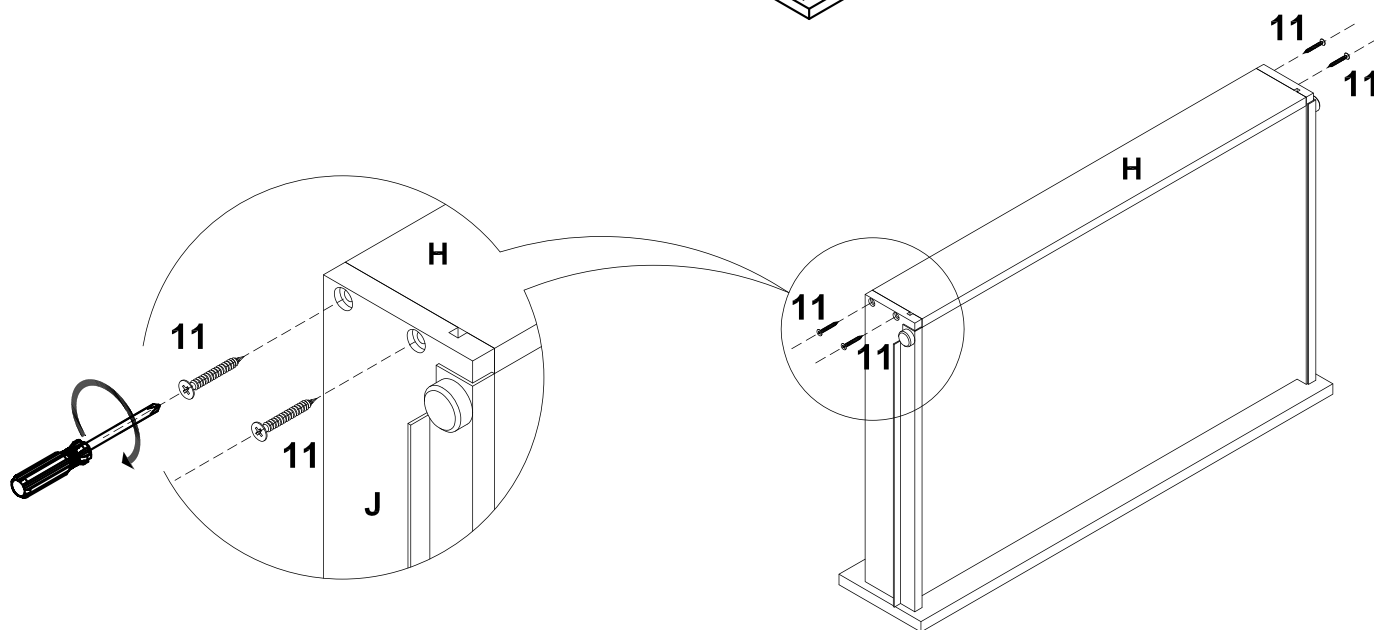
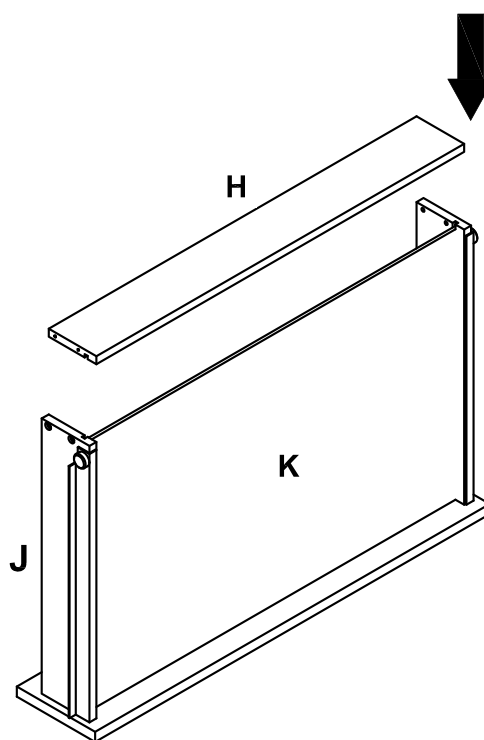
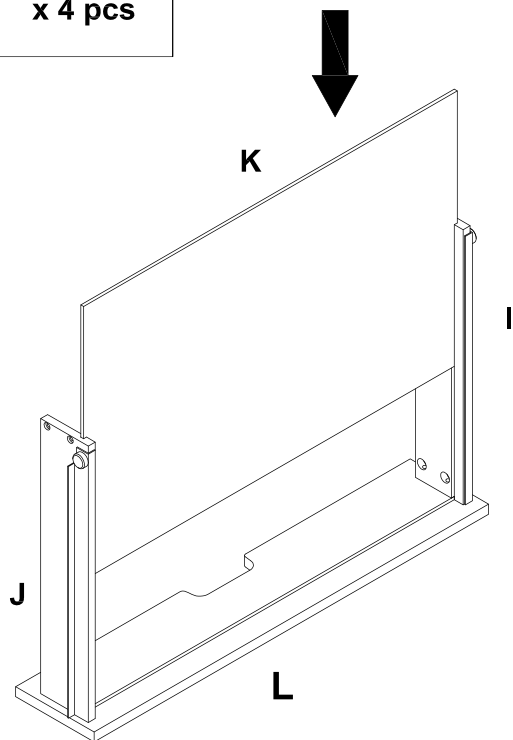
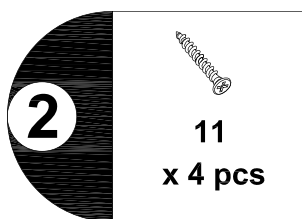
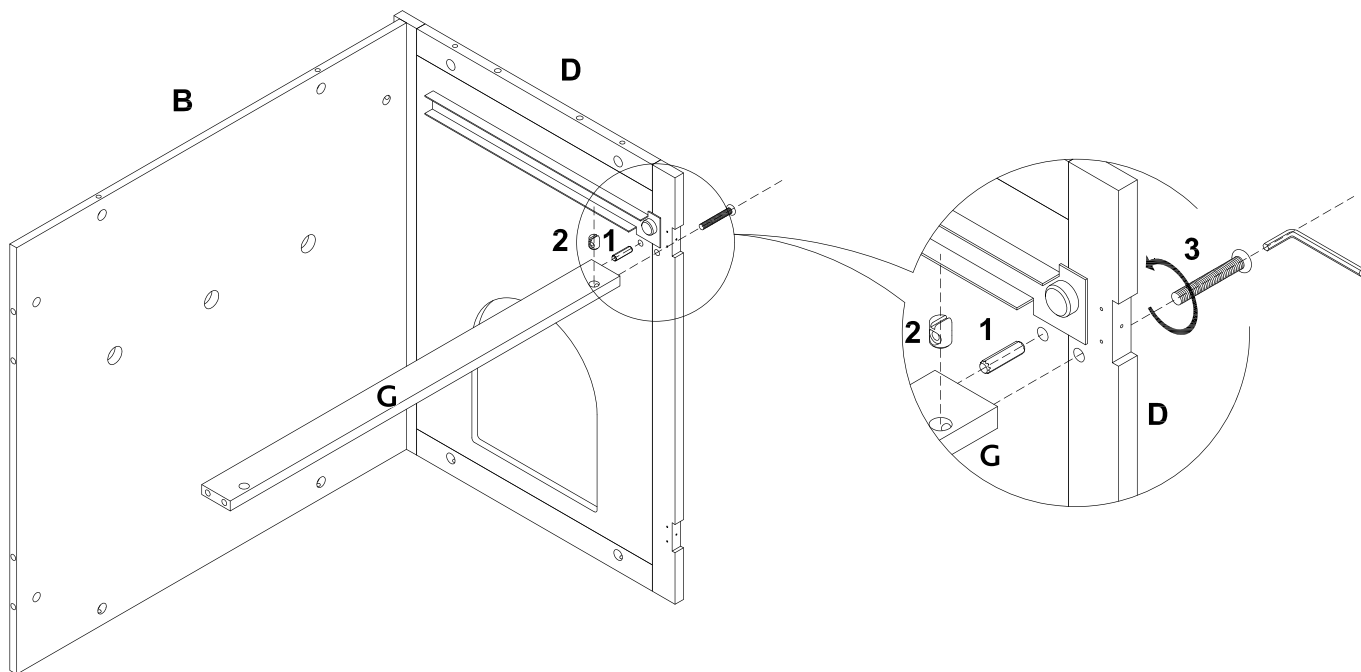
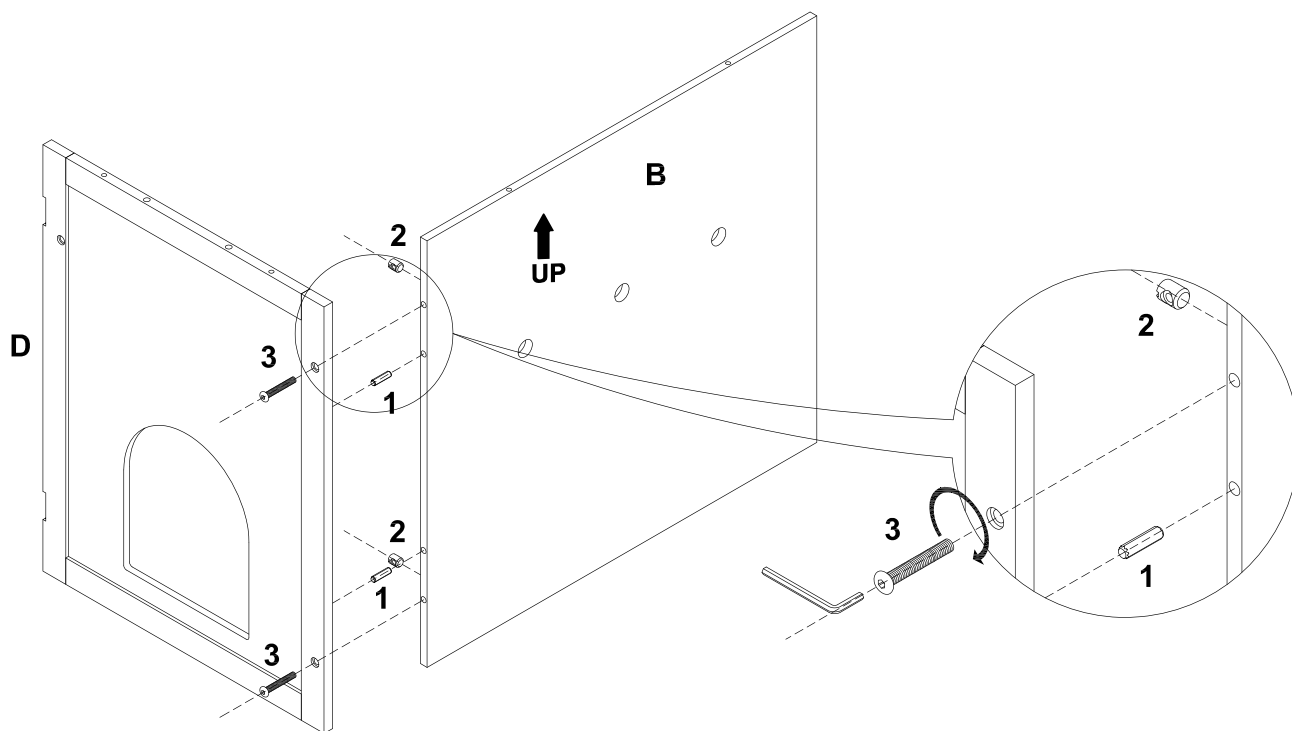
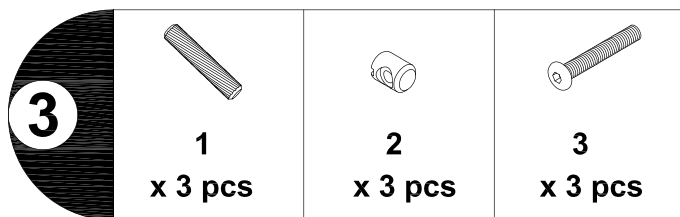




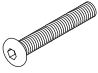
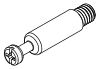
TRIXIE

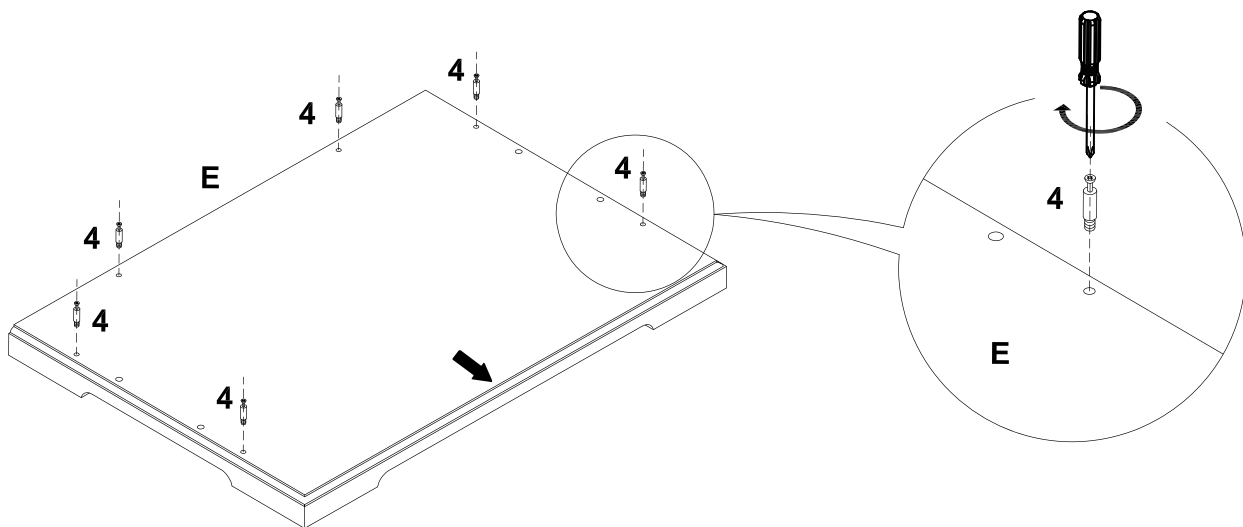
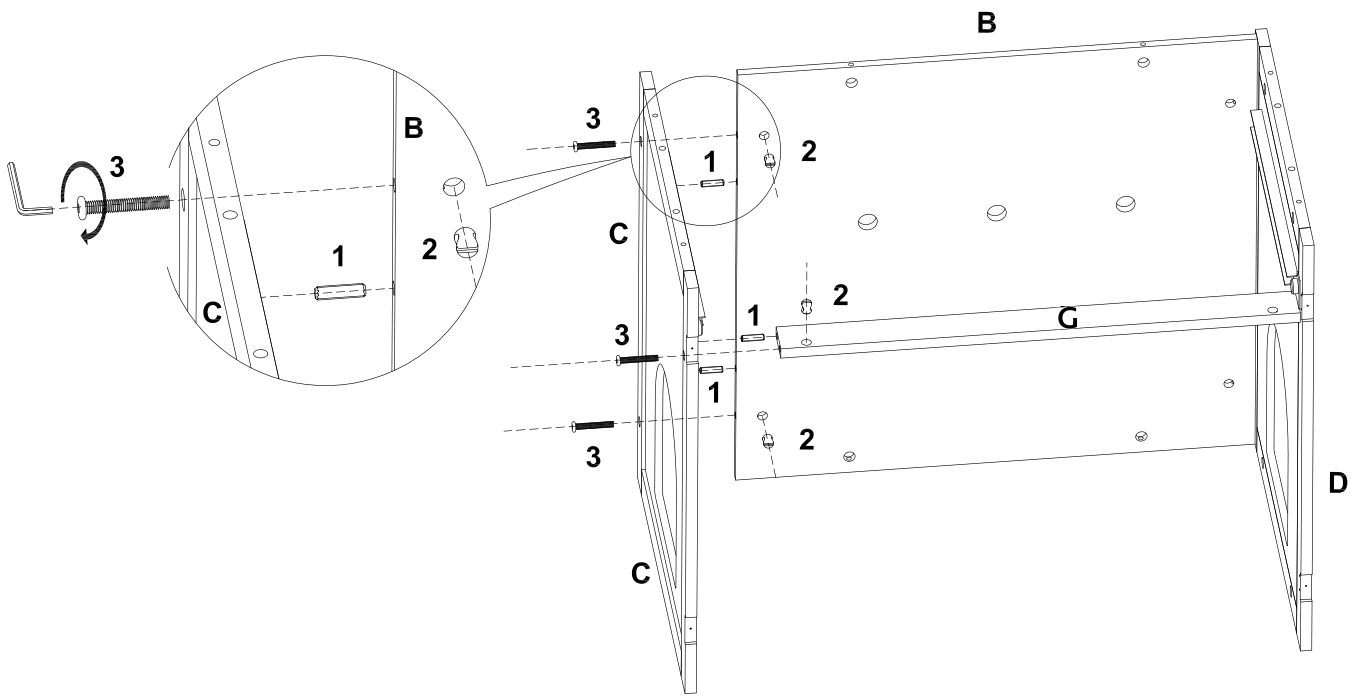
Assembly and Care Instruction Cat House


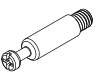

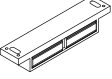

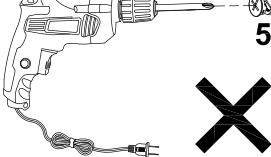
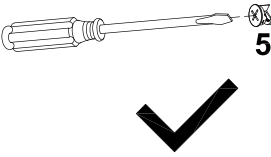


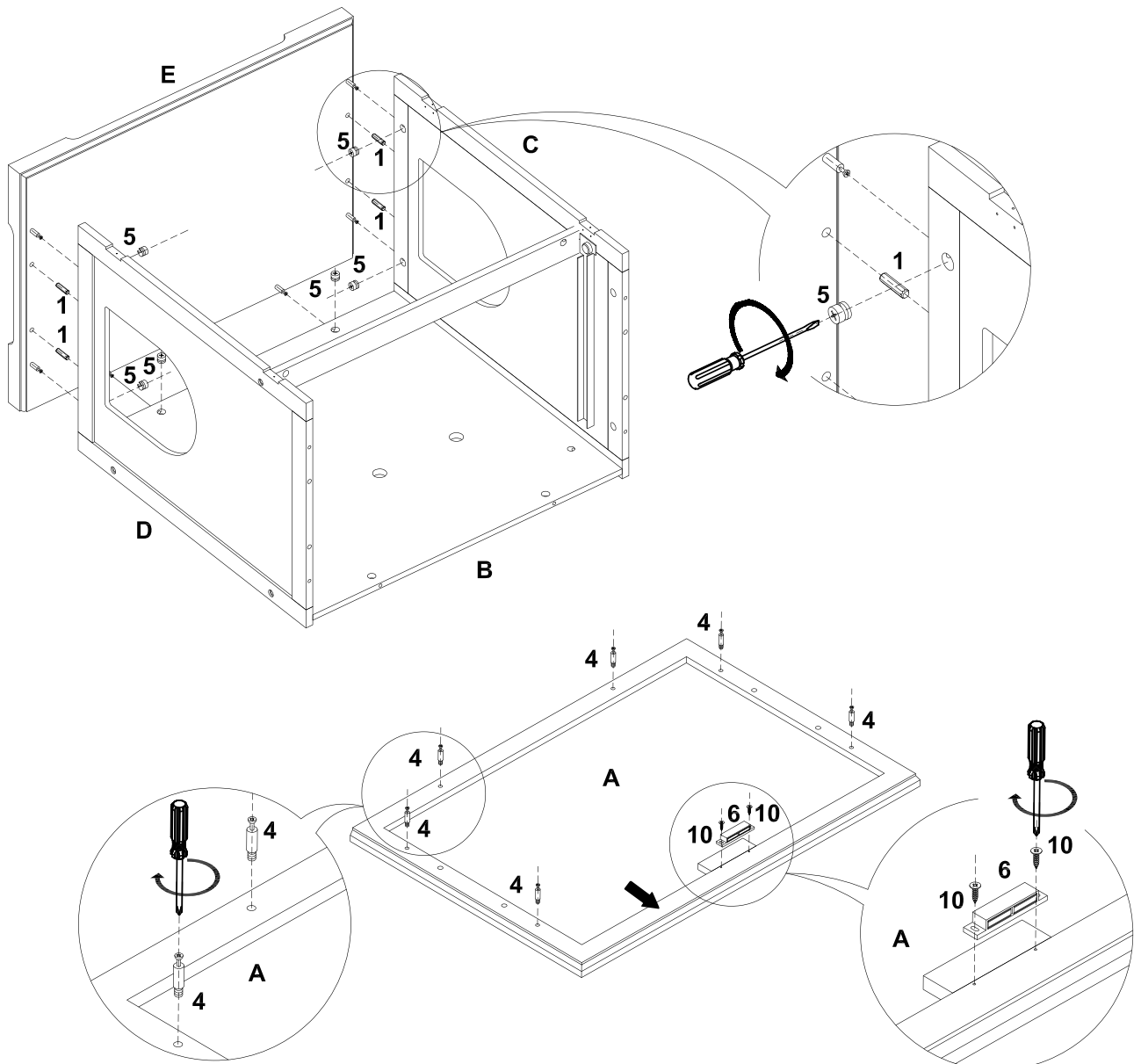




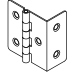




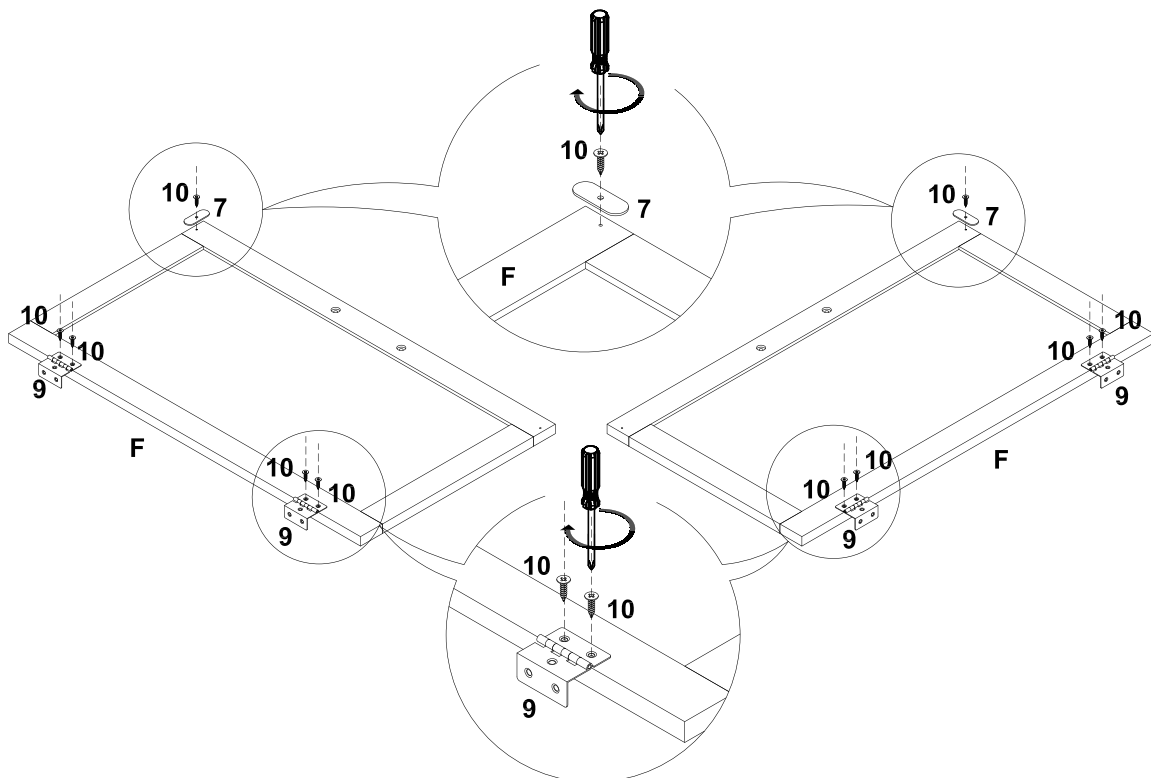
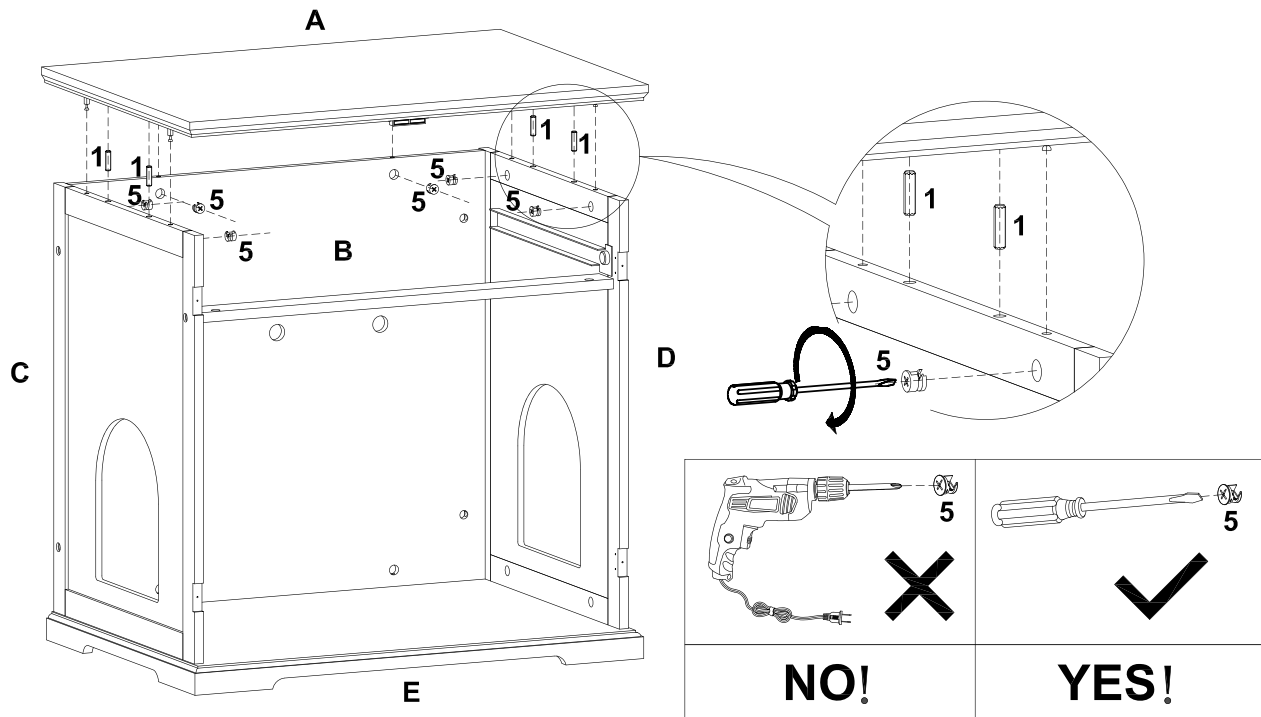
4	 1 x 3 pcs	 2 x 3 pcs	 3 x 3 pcs	 4 x 6 pcs
----------	--	--	--	--

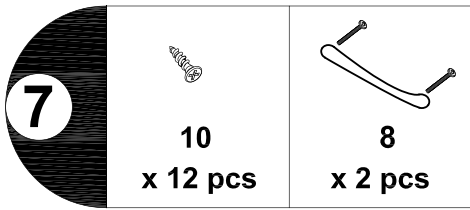


5	 1 x 4 pcs	 4 x 6 pcs	 5 x 6 pcs	 6 x 1 pc	 10 x 2 pcs
	 <div style="font-size: 48px; font-weight: bold; color: black;">X</div> NO!	 <div style="font-size: 48px; font-weight: bold; color: black;">✓</div> YES!			

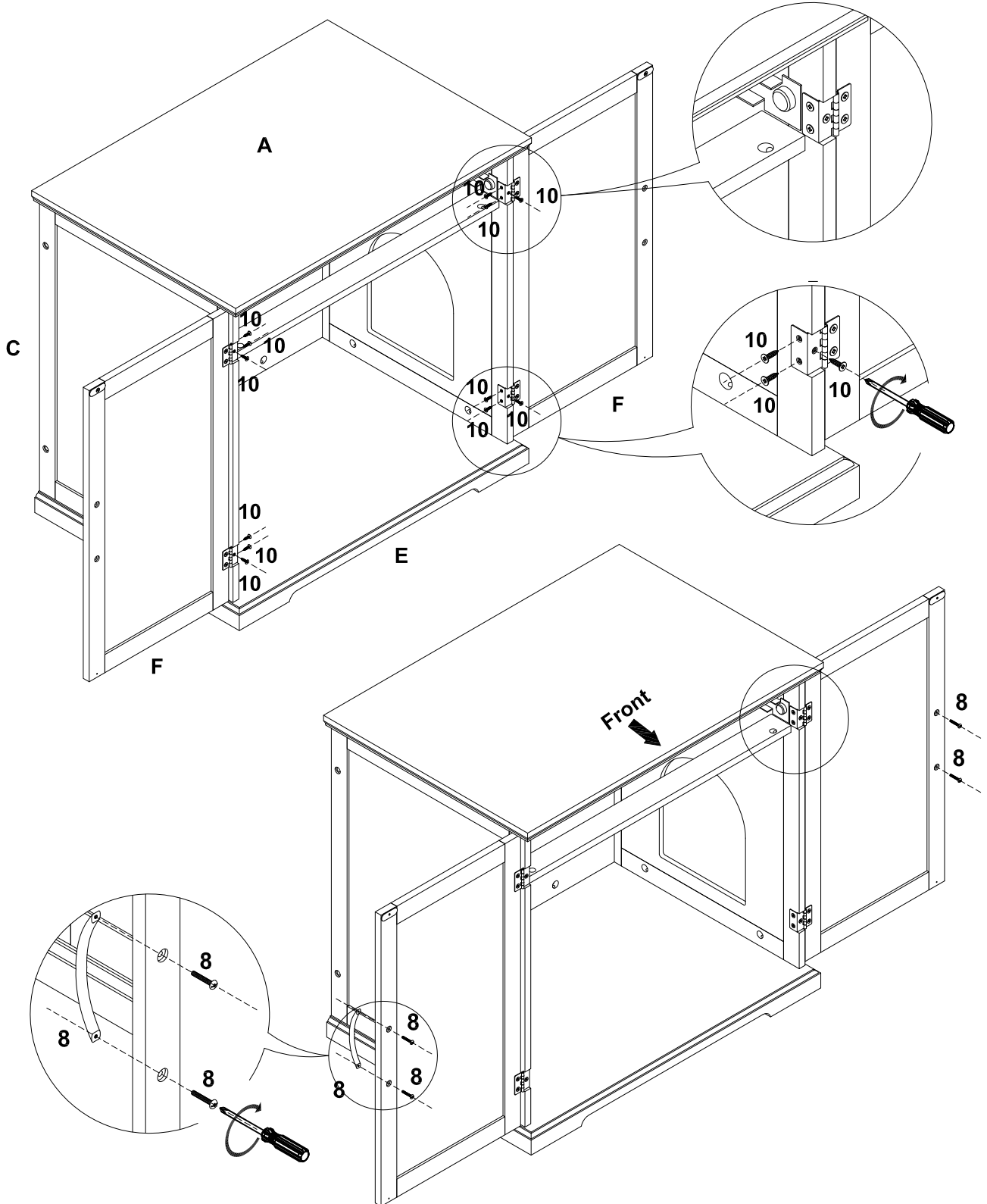


6					
	1 x 4 pcs	5 x 6 pcs	9 x 4 pcs	10 x 10 pcs	7 x 2 pcs





 **Make sure the screws are flush with the hinges to prevent blocking of the drawer rails.**



8

