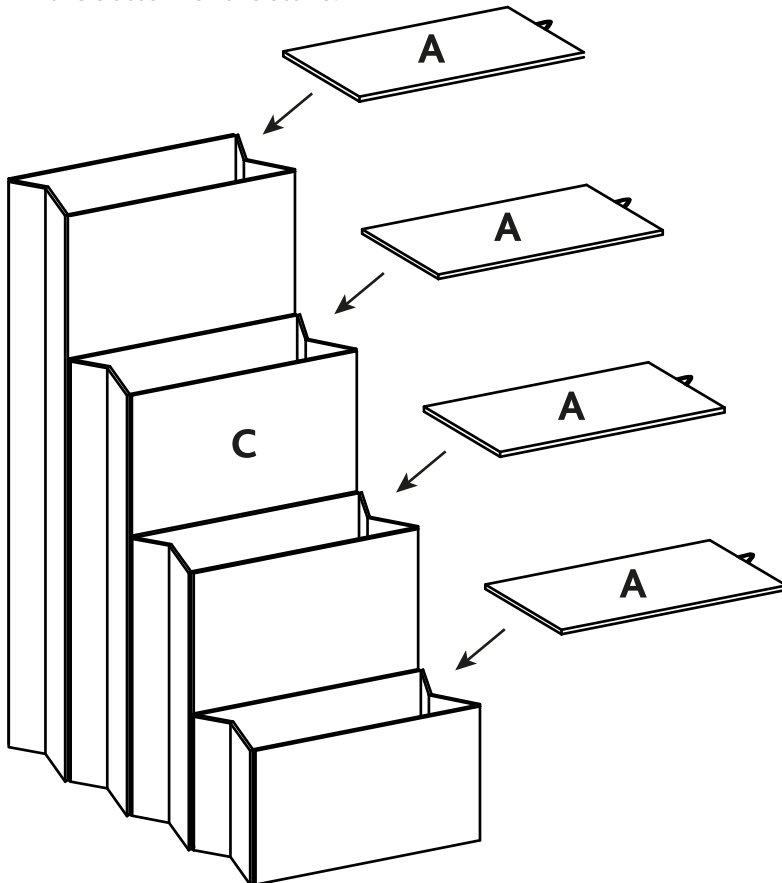
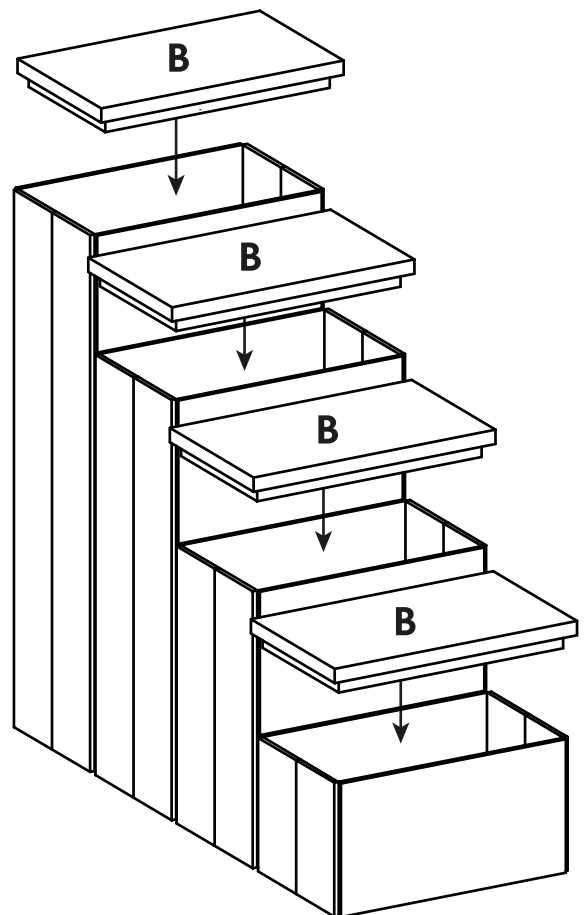


1. Please insert the base plate into the bottom of the stairs.



2. Place the treads on top.



max. weight: 110 lbs / 50 kg