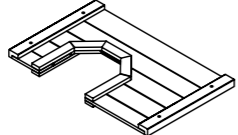
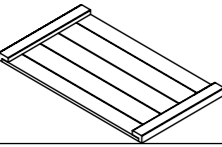
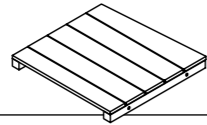
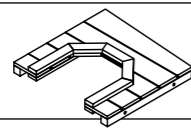
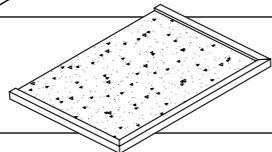




Pos.	Description	Measurement	Quantity	Item
1	Front part	 17.9 × 11.1 × 1.1 in (455 × 284 × 28 mm)	1	62397-10
2	Back wall	 17.9 × 10.3 × 0.7 in (455 × 262 × 20 mm)	1	62397-11
3	Left side panel	 11.4 × 11.1 × 1.1 in (290 × 284 × 28 mm)	1	62397-21
4	Right side panel	 11.4 × 11.1 × 1.4 in (290 × 284 × 38 mm)	1	62397-40
5	Roof	 19.6 × 14.3 × 0.7 in (502 × 365 × 20 mm)	1	62397-41

Pos.	Description	Measurement	Quantity	Item
A	Thread screw with nut	 0.196 × 1.968 in (M5 × 50 mm)	8 + 1	62397-60
B	Countersunk screw	 diam 0.137 × 0.984 in (ø 3,5 × 25 mm)	4 + 1	62397-60

