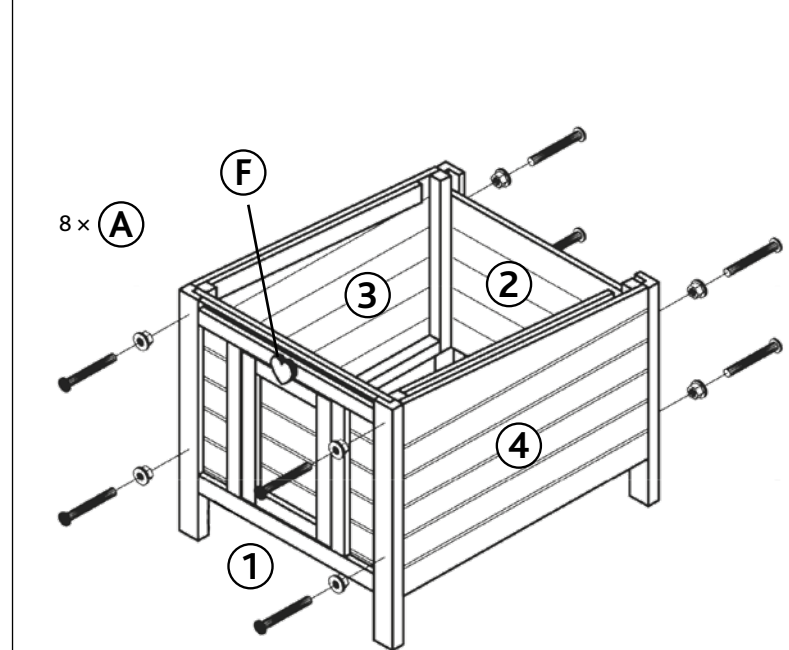


Pos.	Description	Measurement	Quantity	Item
1	Front part with door	15.7 × 15.7 × 1.2 in. (400 × 400 × 30 mm)	1	62391-10
2	Back wall	15.7 × 14.3 × 1 in. (400 × 363 × 25 mm)	1	62391-20
3	Left side panel	11 × 12.5 × 18.1 in. (30 × 320 × 460 mm)	1	62391-30
4	Right side panel	11 × 12.5 × 18.1 in. (30 × 320 × 460 mm)	1	62391-31
5	Floor (2 parts)	14.7 × 0.7 × 17.9 in. (375 × 20 × 455 mm)	1	62391-40 62391-41
6	Roof, including hinges	20.2 × 16.5 × 1.1 in. (511.5 × 420 × 28 mm)	1	62391-50

Pos.	Description	Size	Quantity	Item
A	Thread screw with nut	M6 × 1.9 in. (M6 × 50 mm)	8+1	62391-60
B	Countersunk screw	∅ 0.137 × 0.9 in. (∅ 3.5 × 25 mm)	4+1	
C	Lenshead screw	∅ 0.157 × 0.6 in. (∅ 4 × 16 mm)	8+1	6235-61
D	Check strap plus 8 screws C for each	11.0 in. (28 cm)	1	
E	Hooks/Eyes	2.9 in. (7.6 cm)	2/2	6235-54
F	Lock heart	∅ 1.1 in. (∅ 2.8 cm)	1	6235-50

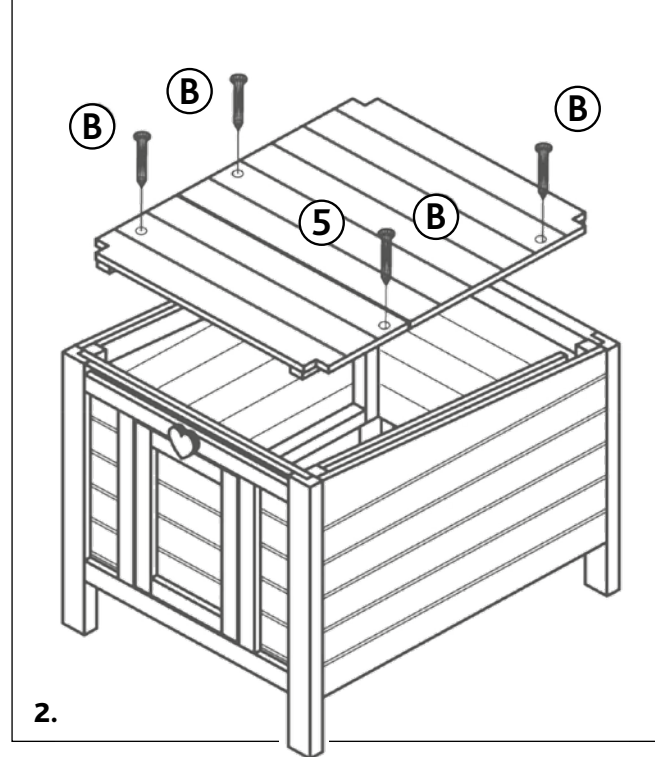
Pos.	Description	Size	Quantity	Item
	Hinge, narrow, for small door	1.4 in. (3.8 cm)	2	6235-70
	Hinge separated, for roof	2.9 in. (7.6 cm)	2	6235-75

EN Fix the front part (1) and the back wall (2) to the side panels (3/4).
Fix the lock heart.



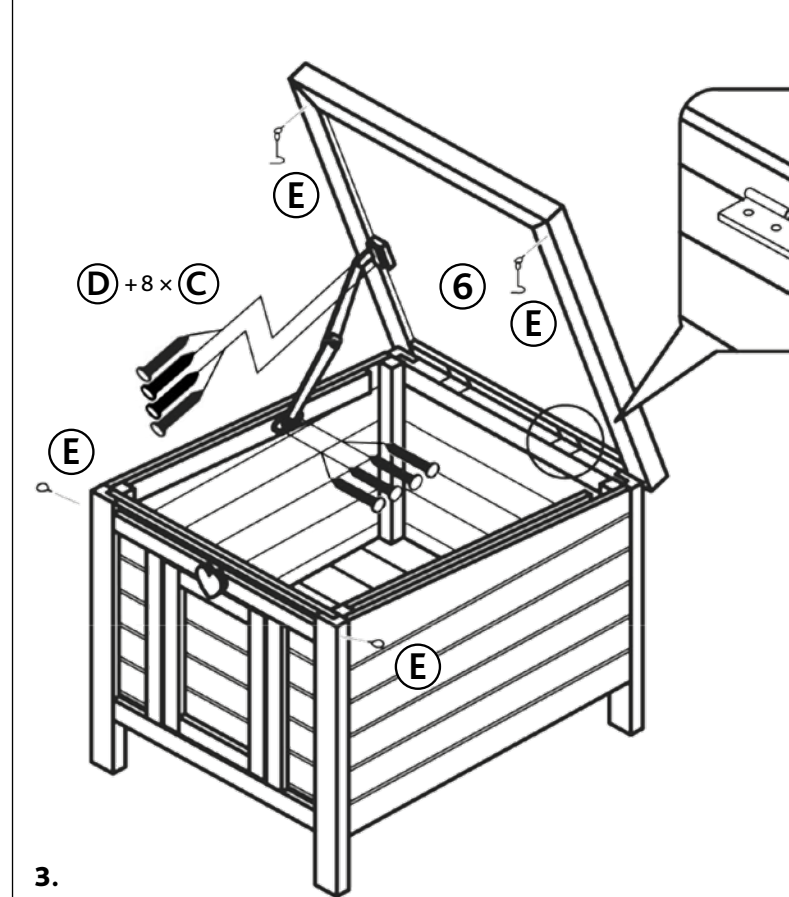
1.

EN Now put in the floor (5).



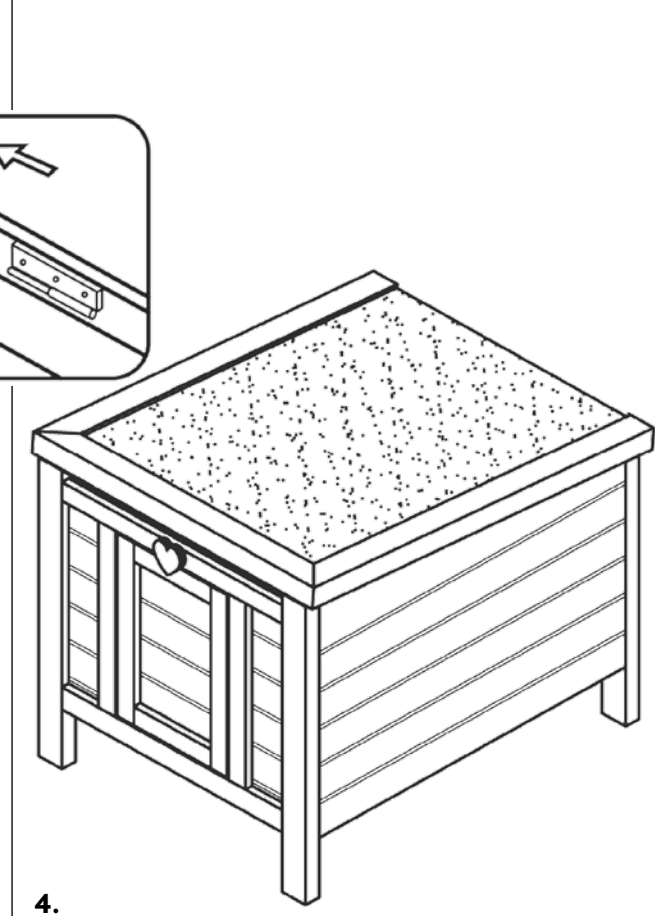
2.

EN Install the roof (6) with the enclosed hinges (D) and install the hook and eyes (E).



3.

EN You can open the door by turning the lock heart.



4.