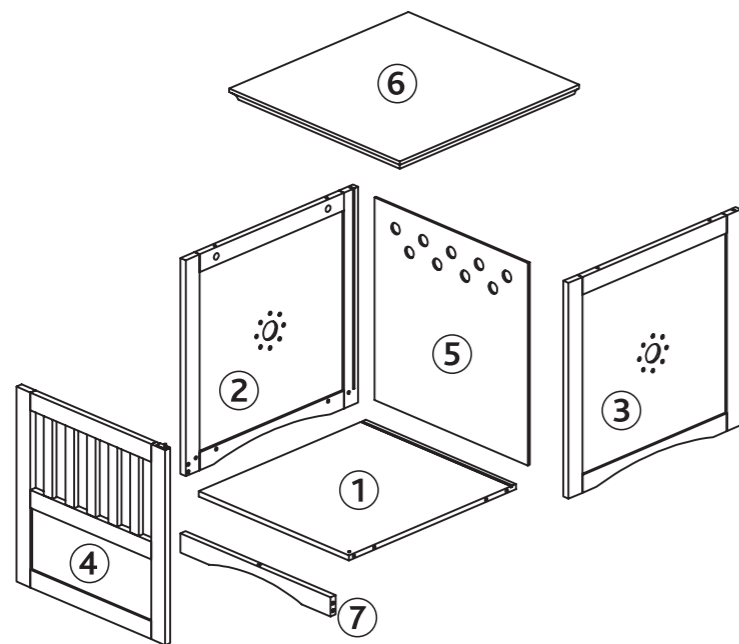


Item No.	Color	Measurement	Color Code
3950	white	19.25 × 20 × 20 in. (49 × 51 × 51 cm)	5
	brown		6

Pos. No.	Description	Measurement	Quantity	Item No. 5	Item No. 6
Pos. 1	Bottom Panel	17 × 19.25 × 0.25 in. (43 × 49 × 1.2 cm)	1	39505-10	39506-10
Pos. 2	Side Panel, left	19.5 × 19 × 0.25 in. (49 × 49 × 1.2 cm)	1	39505-20	39506-20
Pos. 3	Side Panel, right	19.5 × 19 × 0.25 in. (49 × 49 × 1.2 cm)	1	39505-21	39506-21
Pos. 4	Door Panel	17 × 16.75 × 0.25 in. (44 × 43 × 1.2 cm)	1	39505-30	39506-30
Pos. 5	Back Panel	27 × 18 × 0.2 in. (45 × 48 × 0.3 cm)	1	39505-40	39506-40
Pos. 6	Top Panel	19 × 20 × 0.75 in. (49 × 51 × 2.5 cm)	1	39505-50	39506-50
Pos. 7	Lower Apron	17 × 1.25 × 0.25 in. (43 × 3.2 × 1.2 cm)	1	39505-51	39506-51
Pos. a	Dowels		12	39505-60	39506-60
Pos. b	Combo Connection		8		
Pos. c	Combo Connection		8		
Pos. d	Dowel		1		
Pos. e	Magnet		1		
Pos. f	Screw		2		
Pos. g	Catch		1		
Pos. h	Screw		4		



USA Advice:
 Do not sit or stand on this product.
 It is intended for pets only.
 This product should be
 assembled by an adult.

