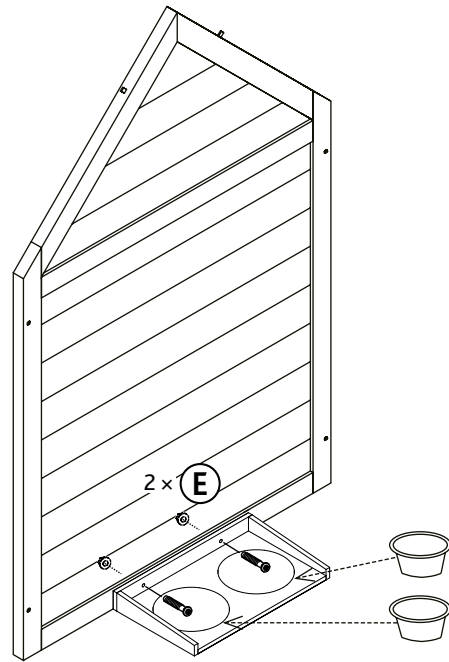


Pos.	Description	Measurement	Quantity	Item
1	Upper front panel	(830 × 600 × 25 mm) 32.75 × 23.5 × 0.75 in.	1	55952-10
2	Upper back panel	(830 × 600 × 20 mm) 32.5 × 23.5 × 0.75 in.	1	55952-20
3	Upper side panel, left	(690 × 560 × 28 mm) 27.0 × 22.0 × 1.0 in.	1	55952-30
4	Upper side panel, right	(690 × 560 × 28 mm) 27.0 × 22.0 × 1.0 in.	1	55952-40
5	Feeder	(300 × 180 × 35 mm) 11.75 × 7.0 × 1.25 in.	1	55952-51
6	Lower front panel	(843 × 600 × 25 mm) 33.0 × 23.5 × 0.75 in.	1	55952-11
7	Lower back panel	(843 × 600 × 20 mm) 33.0 × 23.5 × 0.75 in.	1	55952-21
8	Lower side panels	(740 × 560 × 45 mm) 29.0 × 22.0 × 1.75 in.	2	55952-31
9	Main bar for perch frame	(750 × 35 × 35 mm) 29.5 × 1.25 × 1.25 in.	1	55952-53
10	Long perches	(∅ 12 × 557 mm) ∅ 0.25 × 21.75 in.	2	55952-55
10	Short perches	(∅ 12 × 300 mm) ∅ 0.25 × 11.75 in.	2	55952-55
12	Drawer	(585 × 526 × 50 mm) 23.0 × 20.5 × 1.75 in.	1	55952-50
13	Bottom	(585 × 526 × 15 mm) 23.0 × 20.5 × 0.5 in.	1	55952-56
14	Roof plates	(370 × 675 × 17 mm) 14.5 × 26.5 × 0.5 in.	2	55952-60
15	Ridge	(700 × 75 × 56 mm) 27.5 × 2.75 × 2.0 in.	1	55952-61
16	Bowls		2	55952-52

Pos.	Description	Size	Quantity	Item
A	Countersunk screw	(∅ 3,5 × 40 mm) ∅ 0,137 × 1.574 in.	16+1	55952-62
B	Countersunk screw	(∅ 3,5 × 25 mm) ∅ 0,137 × 0.984 in.	8+1	
C	Countersunk screw	(∅ 3,5 × 35 mm) ∅ 0,137 × 1.377 in.	8+1	
D	Thread screw with nut	(M6 × 80 mm) M6 × 3.149 in.	4+1	
E	Thread screw with nut	(M6 × 40 mm) M6 × 1.574 in.	2+1	

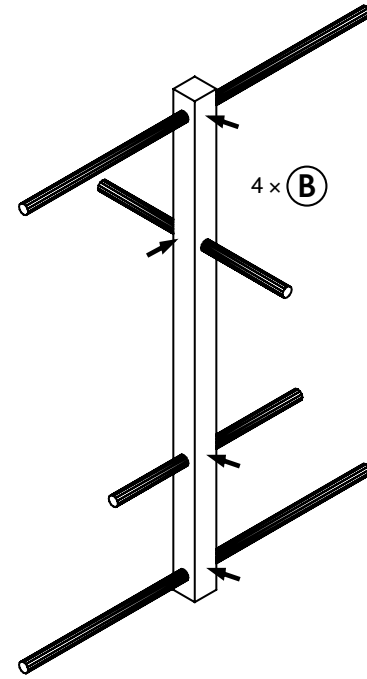
USA Made in China.

1. Fix the feeder (5) on the upper back panel (2).
Insert the bowls (16) once you have finished assembling.



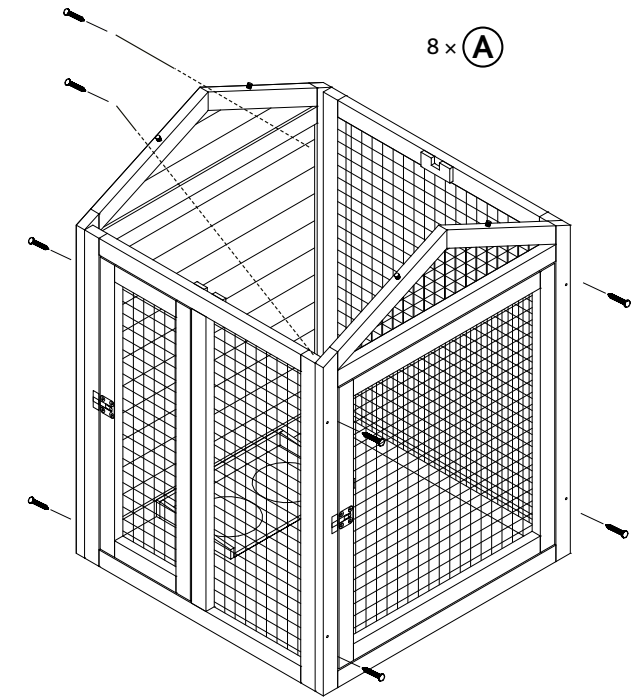
1.

2. Put in the perches (10/11) in the main bar (9) like it is shown in this drawing and fix them with screws.



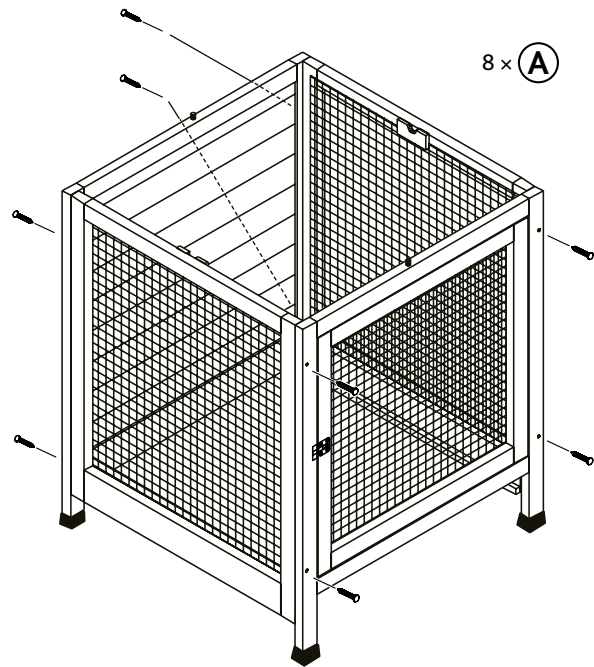
2.

3. Then screw the upper front and back panel (1/2) together with both upper side panels (3/4).



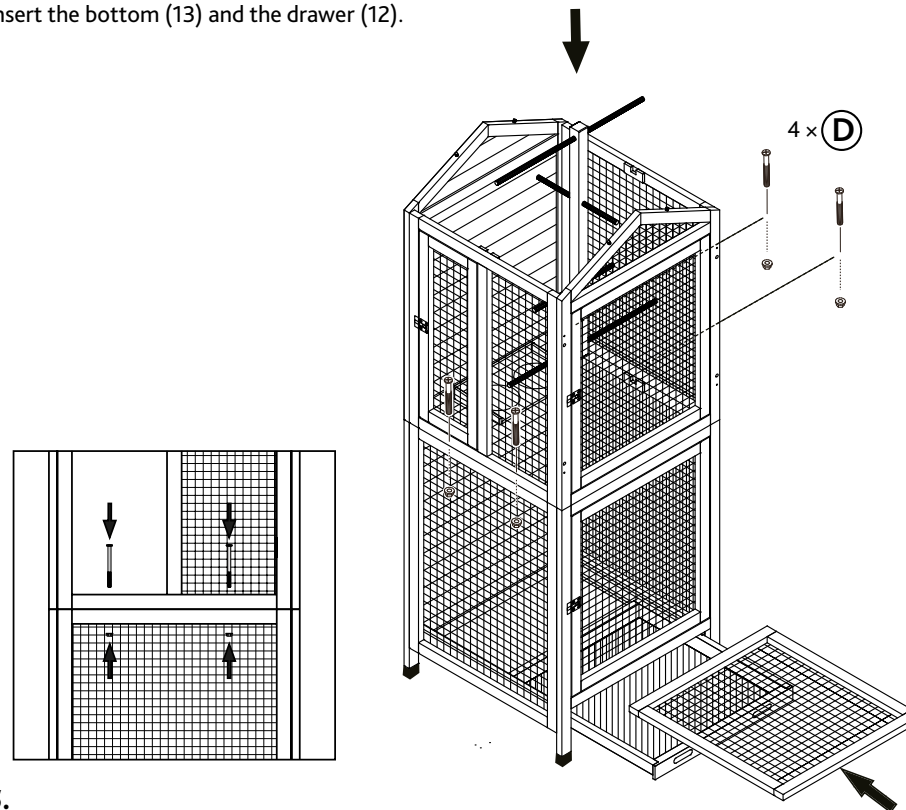
3.

4. Now screw the lower front and back panel (6/7) with the lower side panels (8).



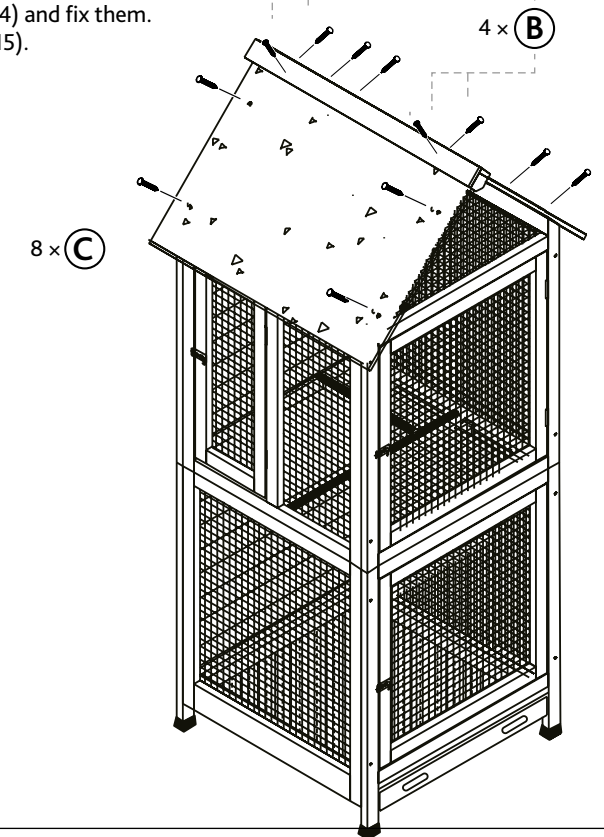
4.

5. Combine the upper and lower part. Hang in the perch frame. Insert the bottom (13) and the drawer (12).



5.

6. Now screw together the upper and lower parts. Put on both roof plates (14) and fix them. Finally fix the roof ridge (15).



6.