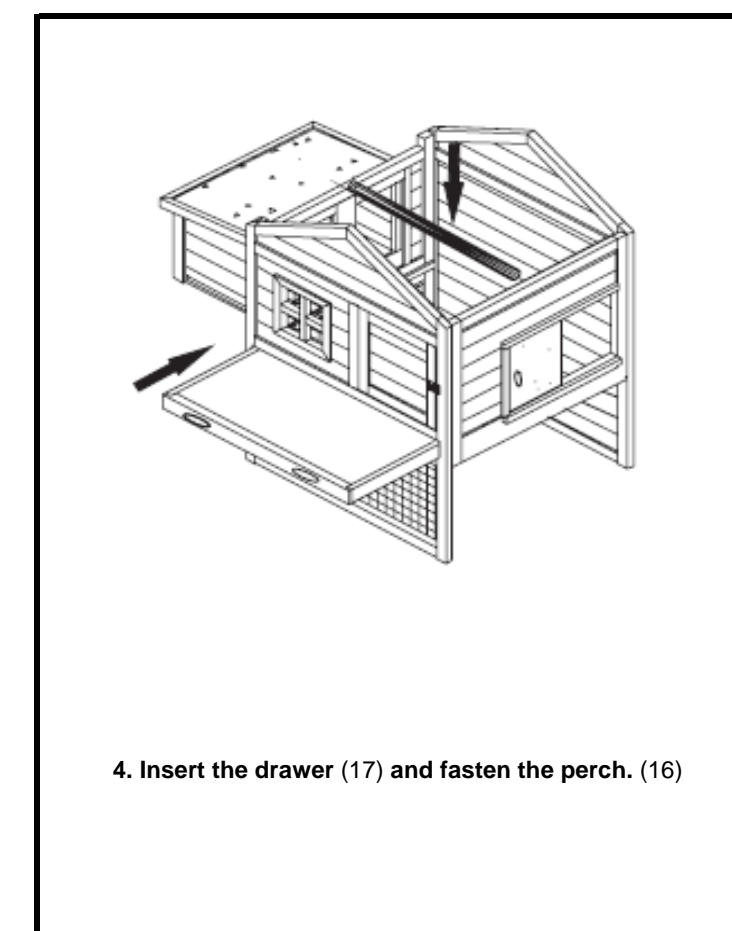
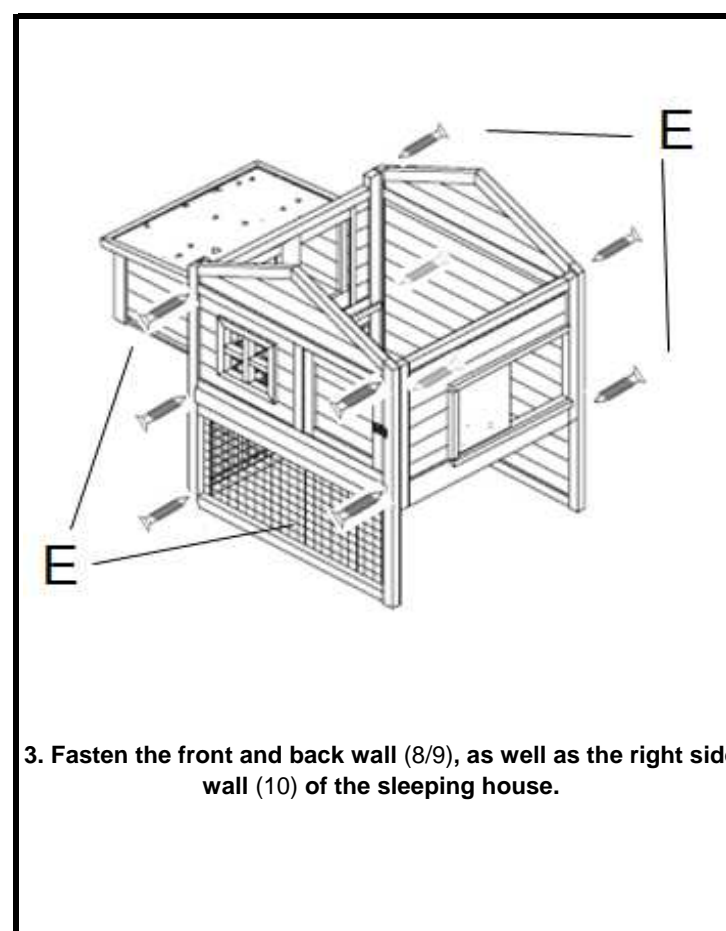
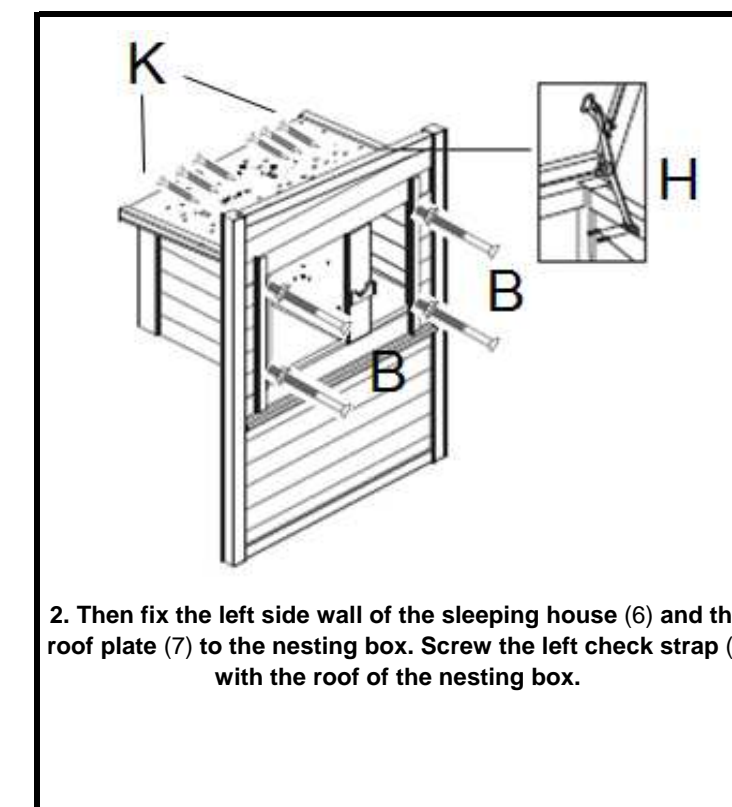
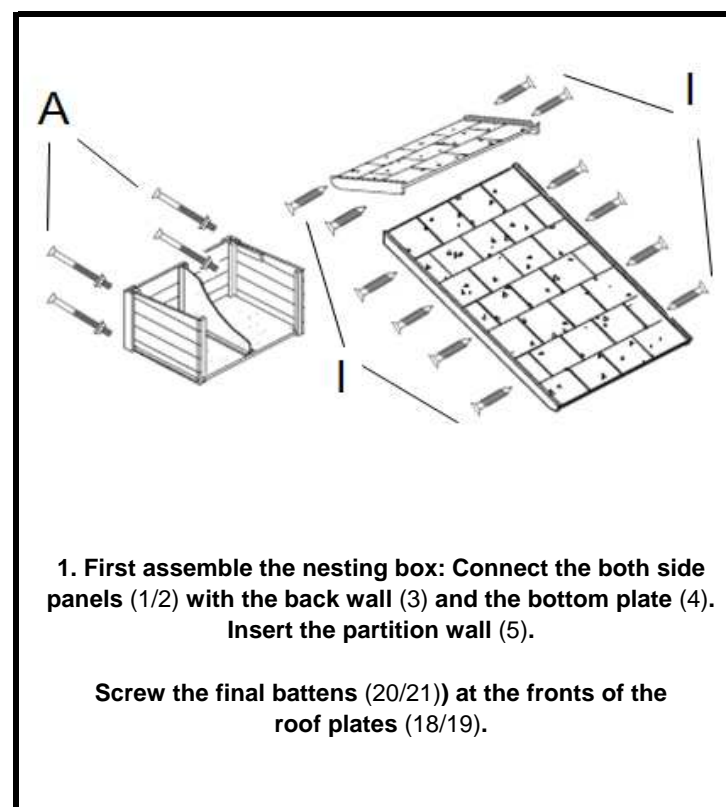





Item No. 01-55962	"natura" Chicken Hutch	175 x 107 x 80 cm		
Pos. No.	Description	Measurement	Quantity	Item No.
Pos. 1	Side panel, nesting box, left	362 x 303 x 40 mm	1	55962-10
Pos. 2	Side panel, nesting box, right	362 x 303 x 40 mm	1	55962-11
Pos. 3	Back wall, nesting box	30 x 271 x 510 mm	1	55962-12
Pos. 4	Bottom plate, nesting box	338 x 15 x 487 mm	1	55962-13
Pos. 5	Partition wall, nesting box	238 x 340 x 5 mm	1	55962-14
Pos. 6	Wall, sleeping house, left	25 x 860 x 666 mm	1	55962-20
Pos. 7	Roof plate, nesting box	382 x 30 x 576 mm	1	55962-15
Pos. 8	Front part, sleeping house	764 x 1038 x 25 mm	1	55962-21
Pos. 9	Back wall, sleeping house	764 x 1038 x 25 mm	1	55962-22
Pos. 10	Wall, sleeping house, right	25 x 520 x 666 mm	1	55962-23
Pos. 11	Front part, enclosure	860 x 630 x 25 mm	1	55962-30
Pos. 12	Back part, enclosure	860 x 630 x 25 mm	1	55962-31
Pos. 13	Ramp	654 x 18 x 170 mm	1	55962-41
Pos. 14	Support for the ramp	32 x 30 x 215 mm	1	55962-40
Pos. 15	Side wall, enclosure, right	25 x 566 x 666 mm	1	55962-32
Pos. 16	Chicken perch	∅ 40 x 721 mm	1	55962-42
Pos. 17	Drawer with plastic inlay	710 x 50 x 690 mm	1	55962-43
Pos. 18/19	Roof plate, left/right	480 x 18 x 780 mm 1164 x 18 x 780 mm	1/1	55962-50 55962-51
Pos. 20/21	Final batten, roof left/right, front/back	485 x 60 x 25 mm 1169 x 60 x 25 mm	2/2	55962-44 55962-45
Pos. 22	Roof ridge	90 x 30 x 764 mm	1	55962-52



Small parts				
A			M6 x 50	5
B	Thread screw with nut		M6 x 40	5
C			M4 x 35	3
D			M4 x 60	3
E			M4 x 50	15
F			M4 x 35	9
G	Countersunk screw		M4 x 25	3
H			M4 x 16	9
I			M3,5 x 40	13
J			M3 x 16 (black)	3
K			M3 x 16	7
I	Check strap			2

