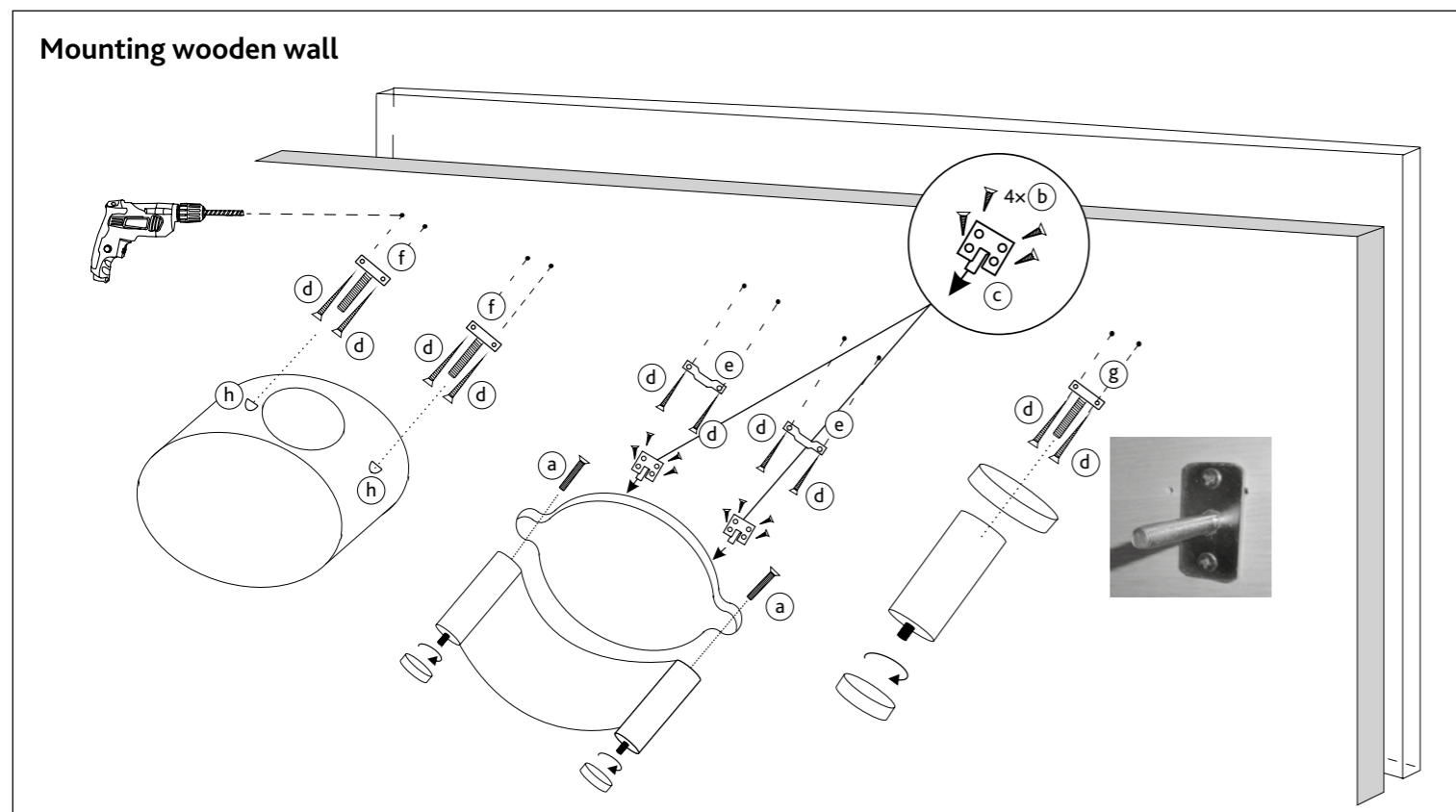


Item No.		Color	Code	
4992	Wall Mounted Cat Lounge Set and Condo	gray	3	
		brown	4	

Description	Measurement	Quantity	Item No.	Item No.
Cave	16.5 × 11.4 × 11 in. 42 × 29 × 28 cm	1	49923-10	49924-10
Hammock	21.2 × 11 × 12.9 in. 54 × 28 × 33 cm	1	49923-11	49924-11
Wall mounting step	ø 3.3 × 8.6 in. ø 8.5 × 22 cm	2	49923-12	49924-12
Hardware Set		1	49923-60	

Pos. No.	Description	Measurement	Quantity
a	Screws	M8 × 1.9 in. M8 × 50 mm	2
b	Wood Screws	16 mm	8
c	Holder A		2
d	Wood Screws	2.3 in. 60 mm	12
e	Holder B		2

Pos. No.	Description	Measurement	Quantity
f	Holder Screw	1.9 × 1.0 × 1.8 in. 50 × 27 × 48 mm	2
g	Holder Screw	1.9 × 1.0 × 1.1 in. 50 × 27 × 28 mm	2
h	Screw cap	1.9 × 1.0 × 1.1 in. 50 × 27 × 28 mm	2
i	Key	M8	1



EN Work steps for wooden wall.

First Step

Bring the product in final position and mark the screw-points in desired location. Use a spirit level or have someone eyeball to make sure the holes are levelled.

Second Step

Mount the holder with attached screws to wooden wall at pilot markings.

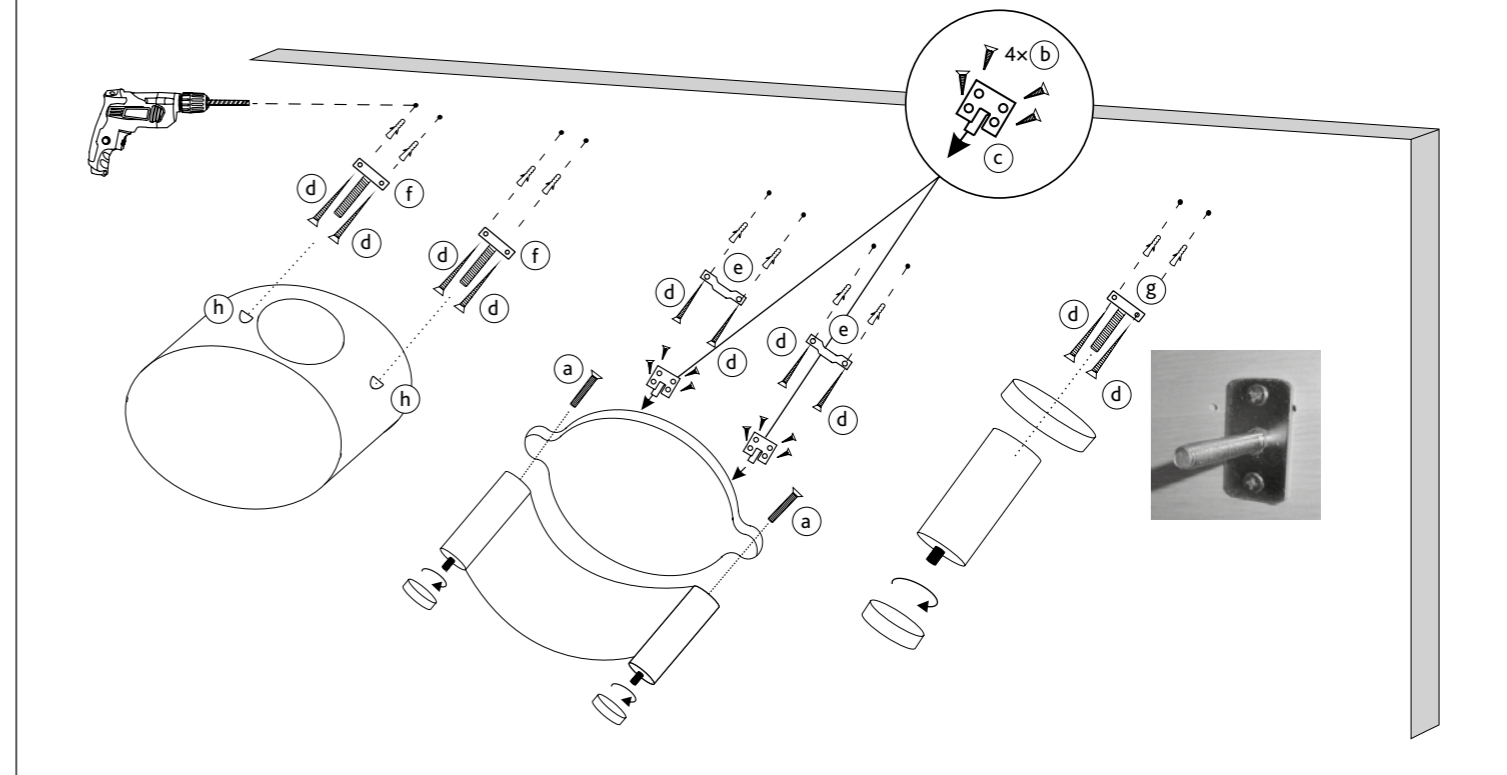
Final Step

Connect the steps to the metal holder and attach cap. Mount the condo to the metal holder tighten with enclosed nut. Hook the assembled hammock to the mounted metal holder.

Advice:

Please note the secure assembly and mounting requires one adult person.

Mounting stonewall with anchors



EN Work steps for stone wall

First Step

Bring the product in final position and mark the screw-points in desired location. Use a spirit level or have someone eyeball to make sure the holes are levelled.

Second Step

Drill 3/16" holes, be sure to keep the drill level.

Third Step

Insert 3/16" wall anchors (not included) into drilled holes (some anchors might require a hammer).

Fourth Step

Mount the metal holder with screws matching wall anchor (not included) to the wall.

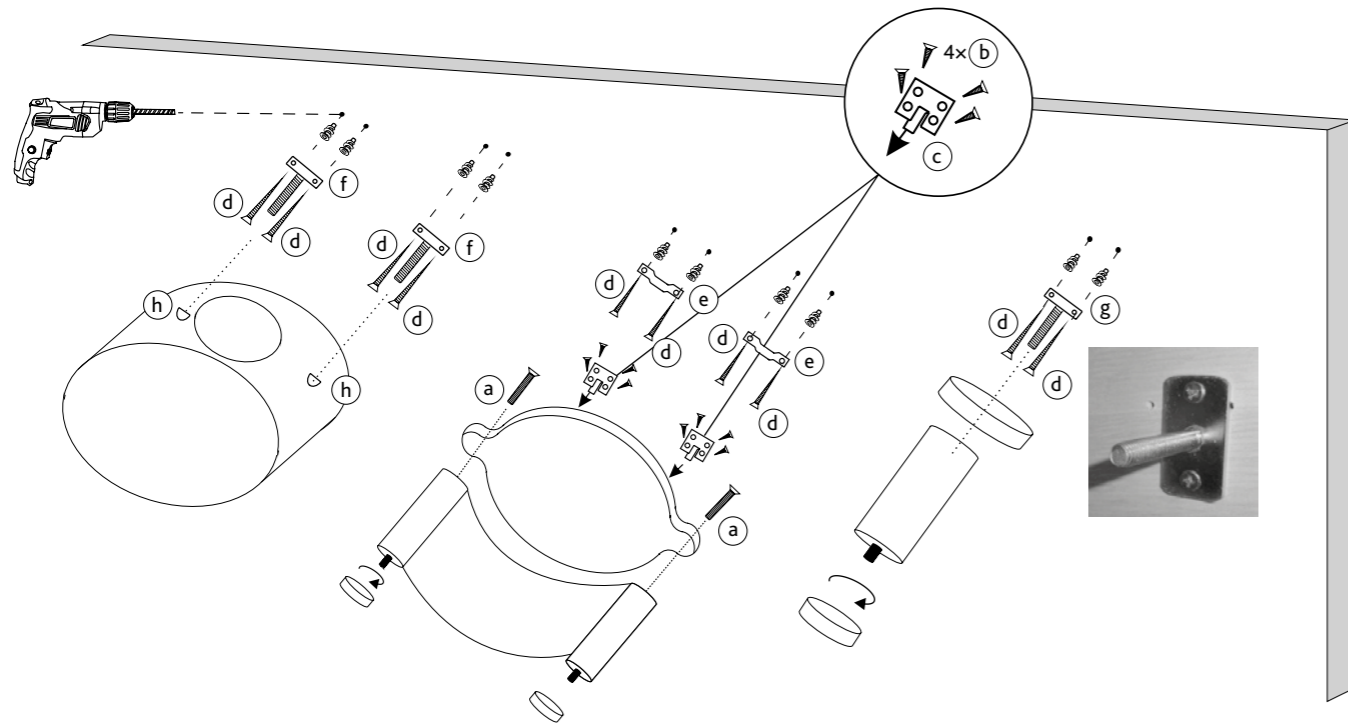
Final Step

Connect the steps with the metal holder and attach cap. Mount the condo to the metal holder tighten with enclosed nut. Hook the assembled hammock to the mounted metal holder.

Advice:

Please note the secure assembly and mounting requires one adult person.

Mounting with drywall anchor



EN

EN Work steps for drywall mounting with wall anchors

When using drywall anchors, we strongly recommend combining the drywall connection with at least one screw to a stud for a more solid connection. Be careful not to break the drywall panel.

First Step

Please use a pencil. Bring the products in final position and mark the screw-point on the center of the wall. Use a spirit level or have someone eyeball to make sure the holes are levelled.

Second Step

If you use self-drilling wall anchors a pilot hole is not needed. Use your drill and the 1/16" bit to make pilot holes for maximum 1 inch to markings. Insert wall anchors (not included). Be careful not to break the drywall panel.

Third Step

Mount the metal holder with screws to the wall anchor make sure the screws are fastened securely.

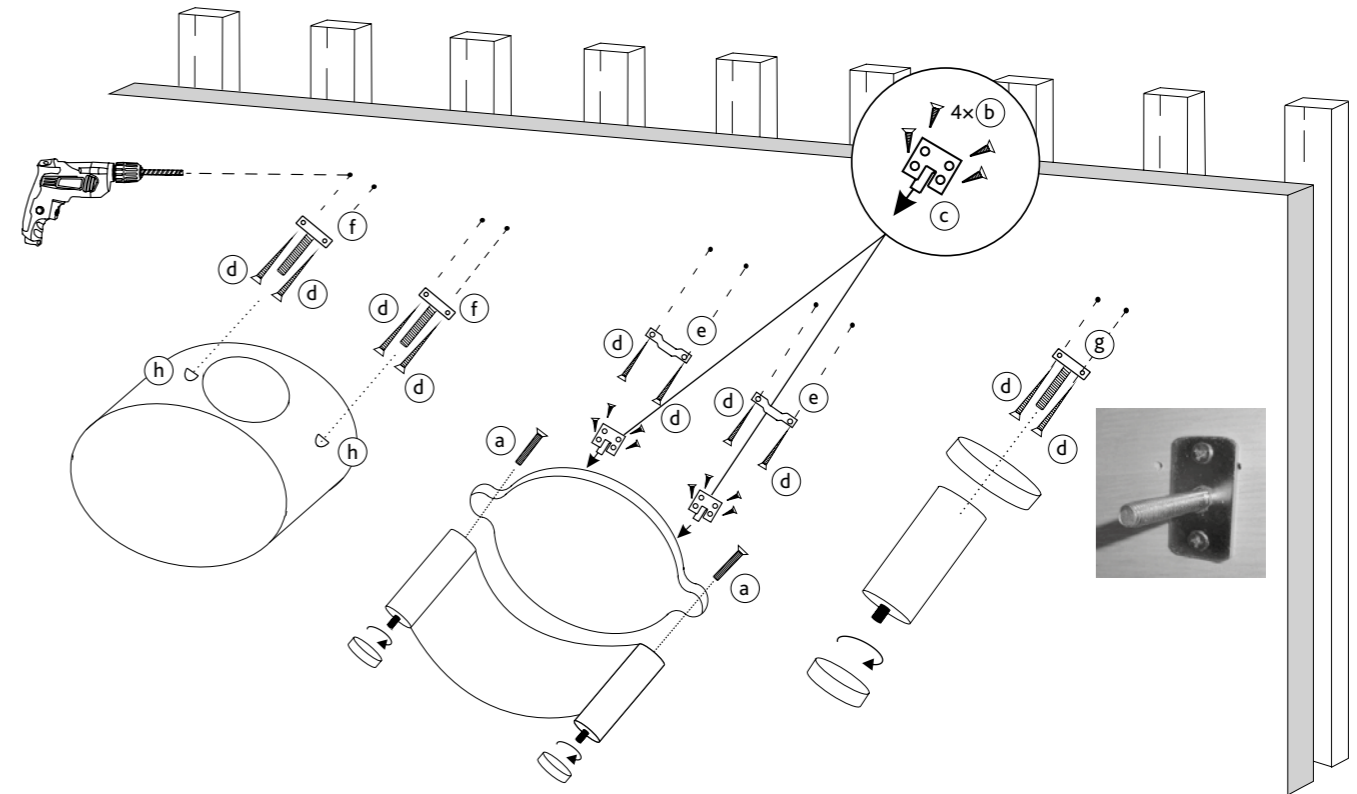
Final Step

Mount the condo to the metal holder tighten with enclosed nut. Hook the assembled hammock to the mounted metal holder. Connect the steps to the metal holder and attach cap.

Advice:

Please note the secure assembly and mounting requires one adult person.

Mounting to wooden dry wall stud



EN Work steps for drywall with wooden drywall stud

First Step

Use a stud-finder or other technique to locate the studs. Please use a pencil. Bring the products in final position and mark the screw-point on the center of the stud. Use a spirit level or have someone eyeball to make sure the holes are levelled.

Second Step

Mount the holder with attached screws to wooden studs at pilot markings.

Final Step

Mount the condo to the metal holder tighten with enclosed nut. Connect the steps to the metal holder and attach cap. Use a stud-finder or other technique to locate the studs.

Advice:

Please note the secure assembly and mounting requires one adult person.