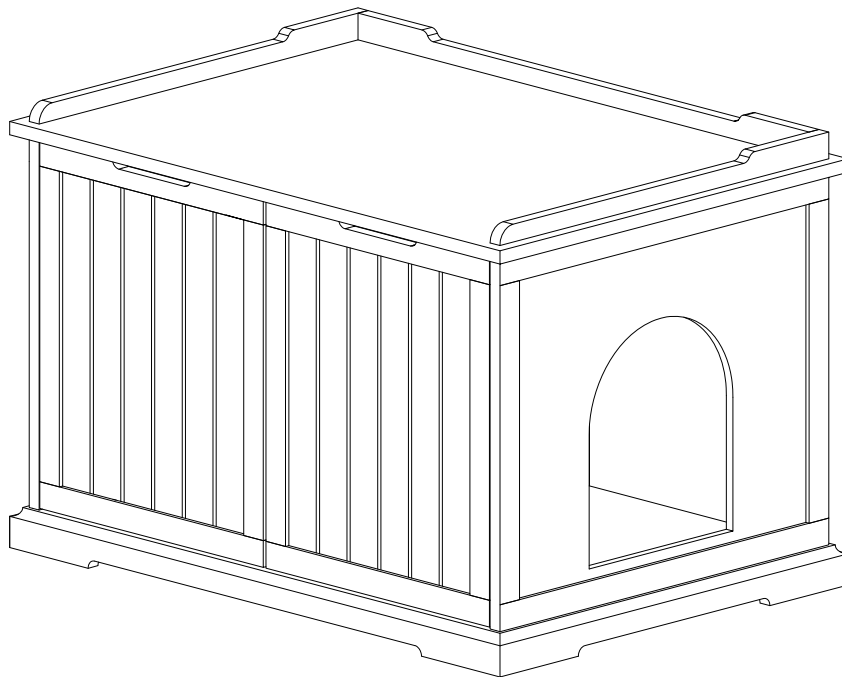
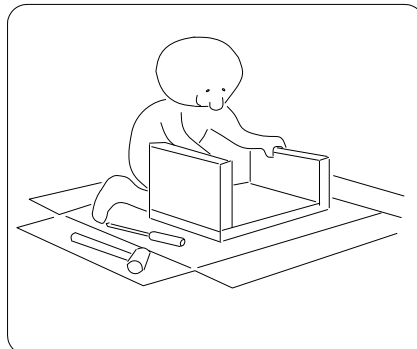
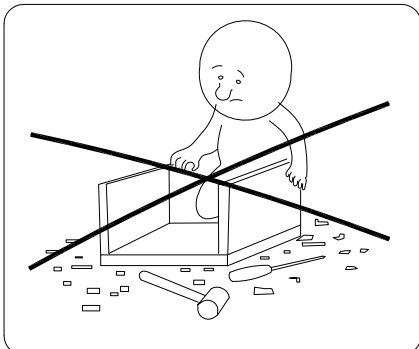
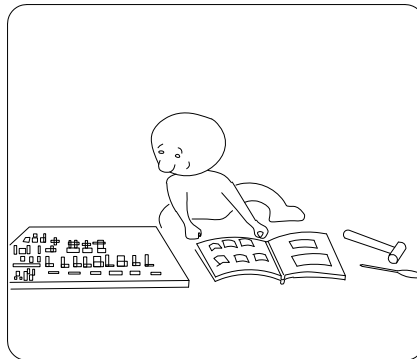
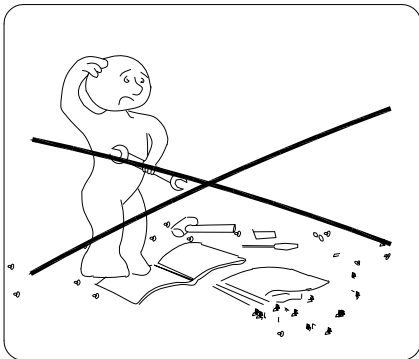
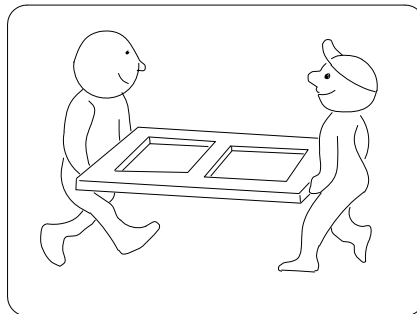
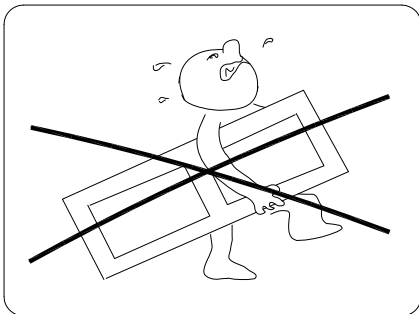
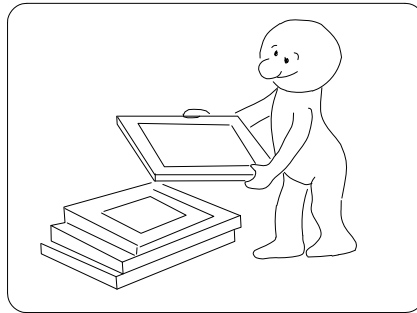
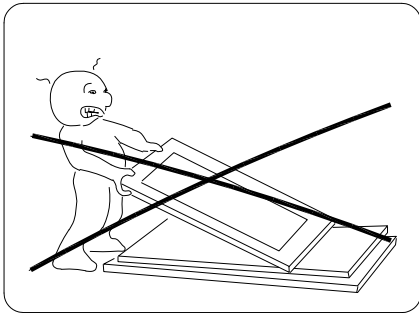
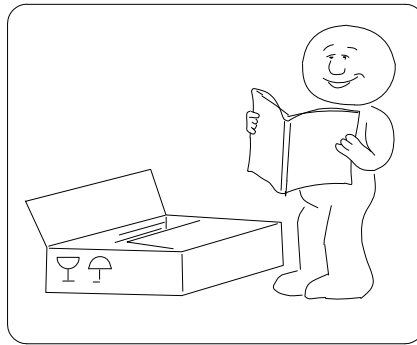
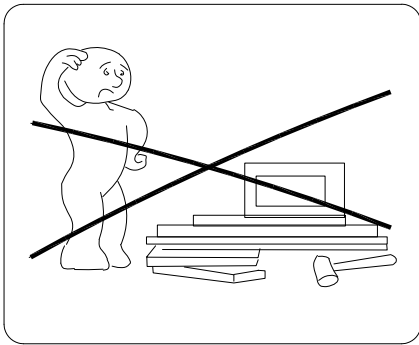




Assembly and Care Instruction XL Cat Toilet House





! WARNINGS **!**

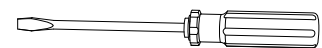
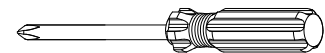
PLEASE READ BEFORE YOU BEGIN

- Do NOT use Power Tools.
- Do NOT tighten all bolts and screws until the entire unit has been assembled.
- Clean surface with a mild soap and damp cloth. Do not use harsh chemicals or cleaning abrasives as it will damage the surface.
- This product is intended for pets only. Do not sit or stand on unit.
- Do not allow children to play near working area.

ADVICE

1. Please read the instructions thoroughly.
2. Adult assembly required. Assembly is easier with two people.
3. Assemble on clean soft surface(s) to prevent scratching finish.
4. Identify all parts and hardware.
5. Screws of the door hinges can be adjusted as needed.
6. Read all instructions before assembling unit. Keep instructions for future use.
7. Upon completion of assembly - make sure all screws, bolts, and fasteners have been securely tightened.
8. Maximum weight for top is 120 pounds.
9. Please put the product on a smooth level surface after you assembled it.

TOOL NEEDED



SCREWDRIVERS REQUIRED

- NOT INCLUDED

| Item No. | | Color | Code |
|----------|---------------------|----------------|------|
| 4023 | XL Cat Toilet House | white | 3 |
| | | gray | 5 |
| | | espresso-brown | 4 |

| Pos. No. | Description | Measurement | Quantity | Item No. -3 | Item No. -4 | Item No. -5 |
|----------|---------------------------|--|----------|-------------|-------------|-------------|
| Pos. A | Side aprons for Top Panel | 19.5 × 1 × 0.5 in. (50 × 3 × 1.5 cm) | 2 | 40233-22 | 40234-22 | 40235-22 |
| Pos. B | Apron for Top Panel, back | 27 × 1 × 0.5 in. (69 × 3 × 1.5 cm) | 1 | 40233-23 | 40234-23 | 40235-23 |
| Pos. C | Top Panel | 29.5 × 20.75 × 0.25 in. (75 × 53.5 × 1.5 cm) | 1 | 40233-20 | 40234-20 | 40235-20 |
| Pos. D | Side Panel without Entry | 20 × 16.25 × 0.5 in. (51 × 41.5 × 1.5 cm) | 1 | 40233-11 | 40234-11 | 40235-11 |
| Pos. E | Divider Panel | 18.5 × 16.25 × 0.25 in. (47.5 × 41.5 × 1 cm) | 1 | 40233-12 | 40234-12 | 40235-12 |
| Pos. F | Side Panel with Entry | 20 × 16.25 × 0.5 in. (51 × 41.5 × 1.5 cm) | 1 | 40233-10 | 40234-10 | 40235-10 |
| Pos. G | Back Panel | 27.25 × 16.25 × 0.25 in. (69.5 × 41.5 × 1 cm) | 1 | 40233-40 | 40234-40 | 40235-40 |
| Pos. H | Door Panel, left | 13.25 × 16.25 × 0.5 in. (34 × 41.5 × 1.5 cm) | 1 | 40233-30 | 40234-30 | 40235-30 |
| Pos. I | Door Panel, right | 13.25 × 16.25 × 0.5 in. (34 × 41.5 × 1.5 cm) | 1 | 40233-31 | 40234-31 | 40235-31 |
| Pos. J | Bottom Panel | 29.5 × 20.75 × 0.25 in. (75 × 53.5 × 4.5 cm) | 1 | 40233-21 | 40234-21 | 40235-21 |
| Pos. K | Litter Mat, gray | | 1 | 40233-60 | 40234-60 | 40235-60 |

Pos.1



x 14 pcs

Pos.2



x 14 pcs

Pos.3



x 14 pcs

Pos.4



x 2 pcs

Pos.5



x 6 pcs

Pos.6

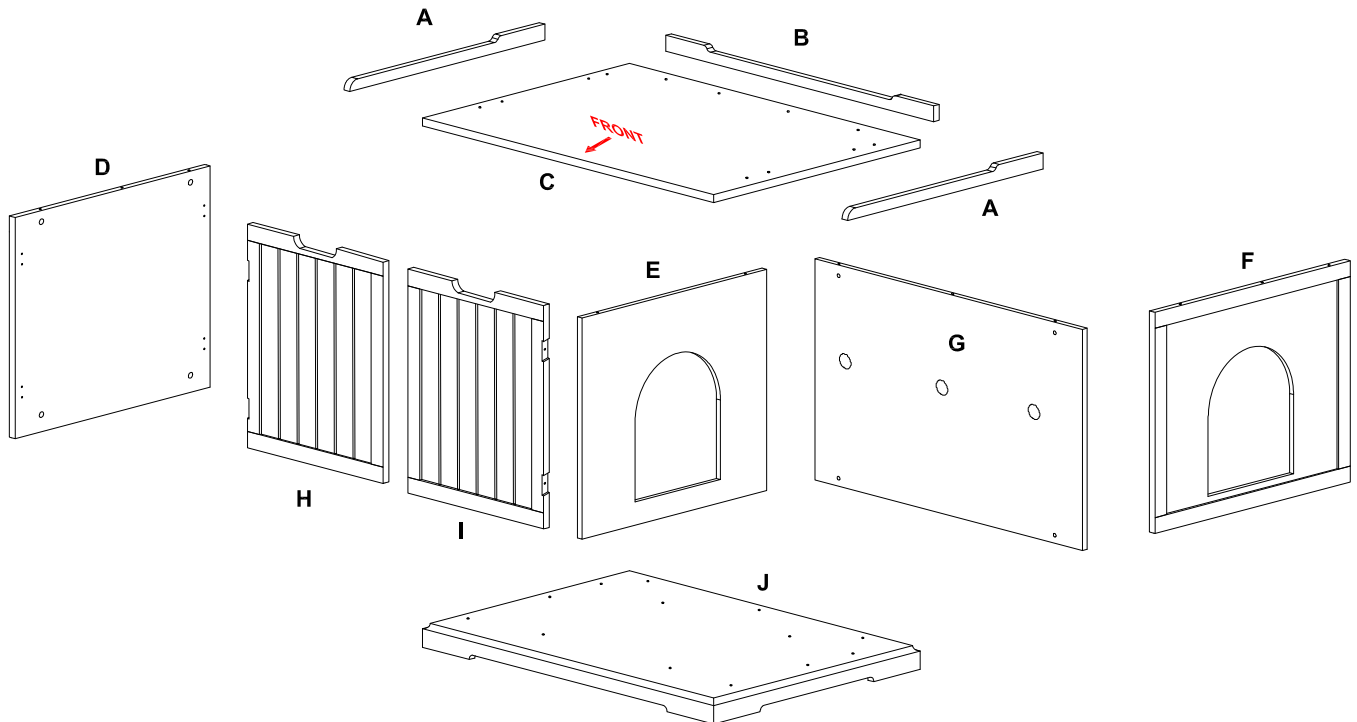


x 24 pcs





Pos.7

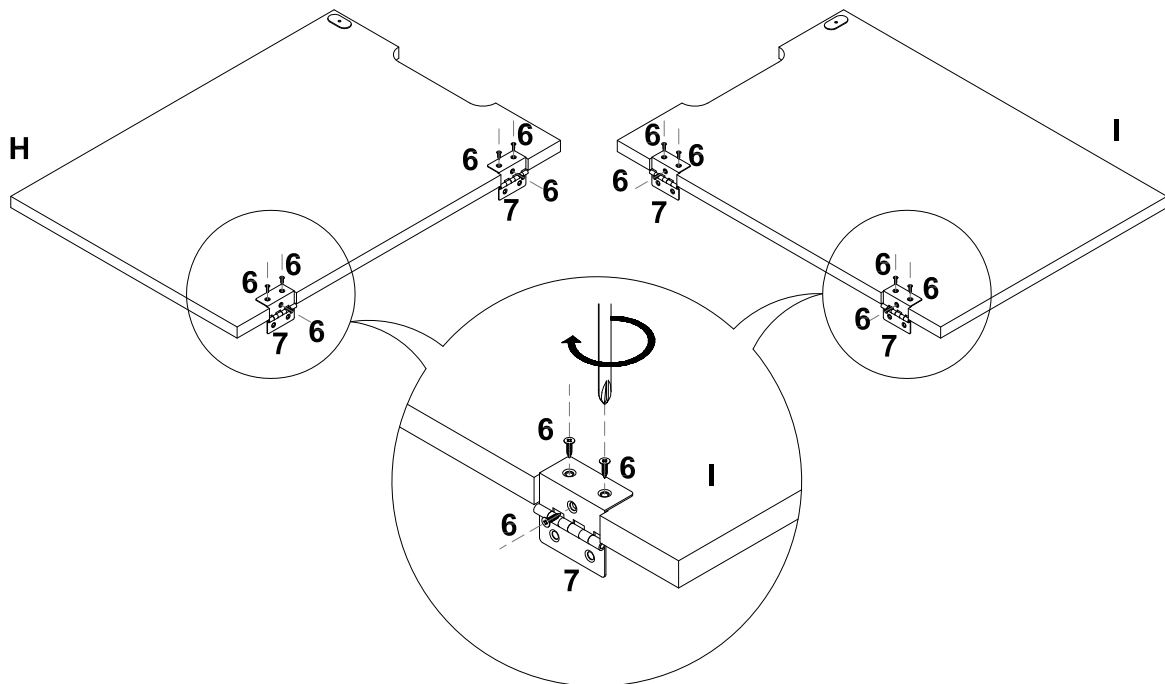
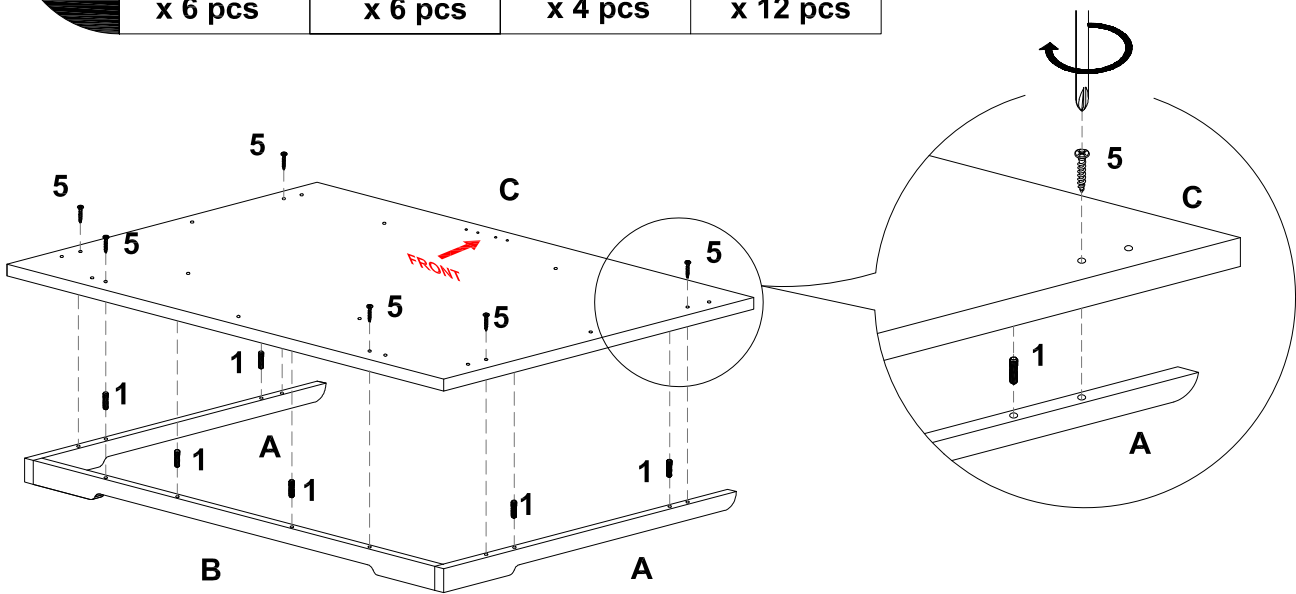



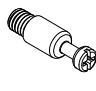
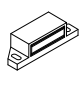

x 4 pcs

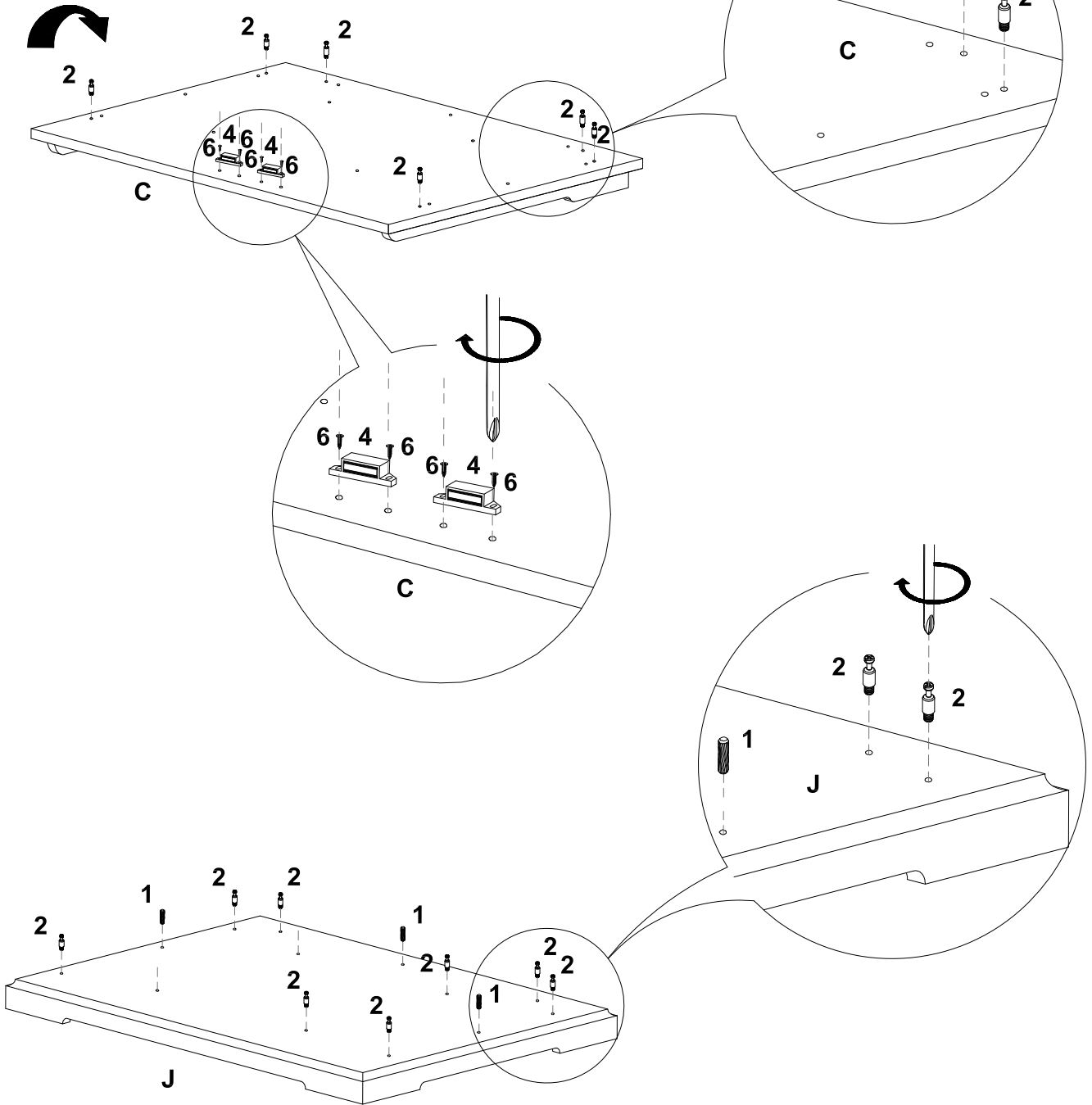


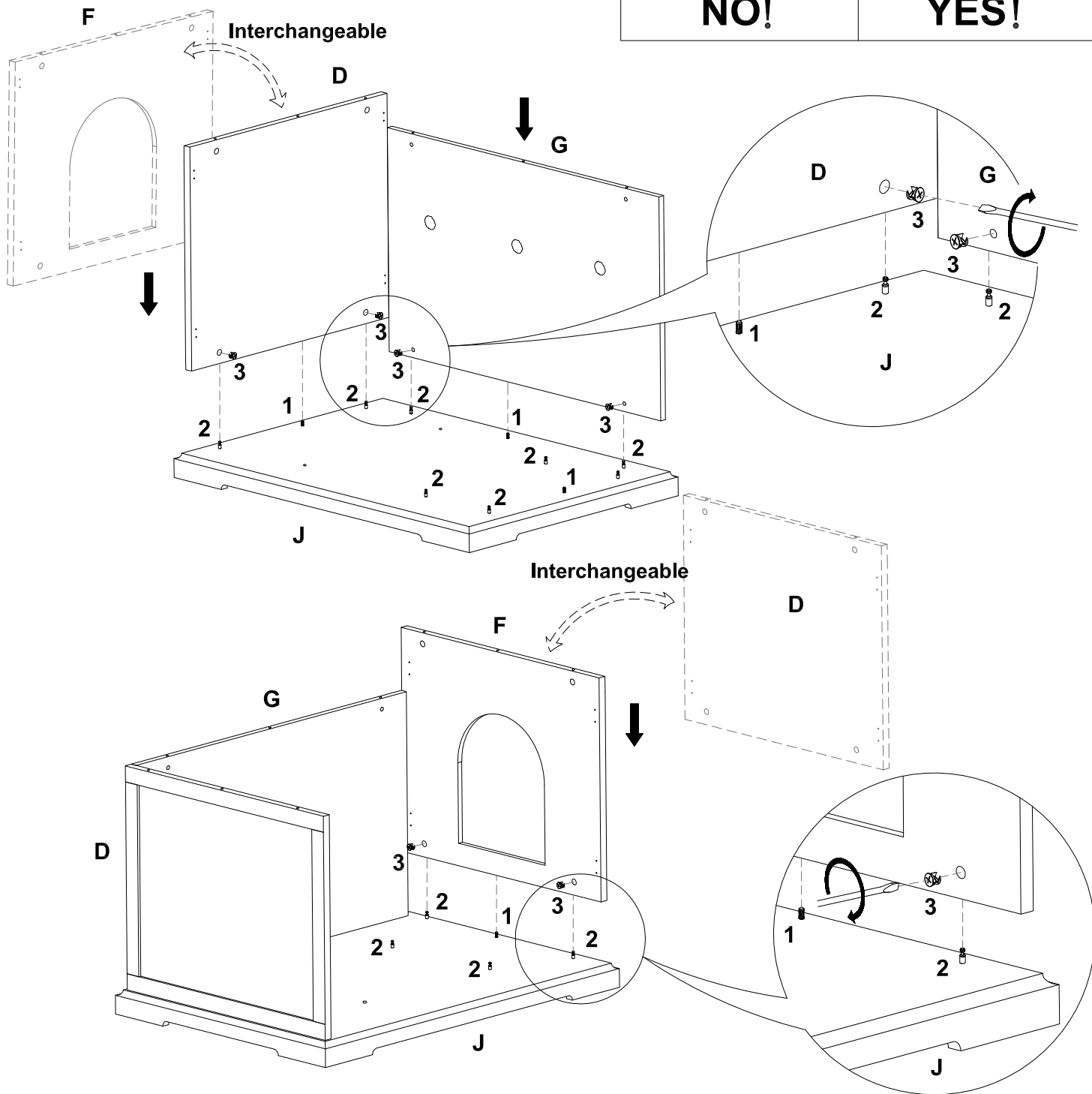
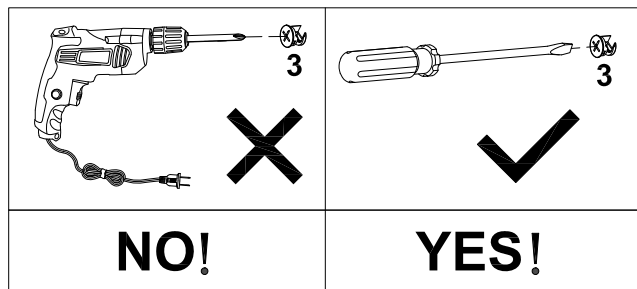
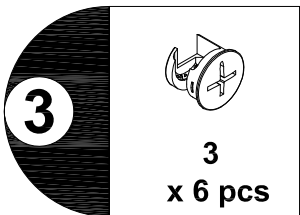
ASSEMBLY INSTRUCTIONS

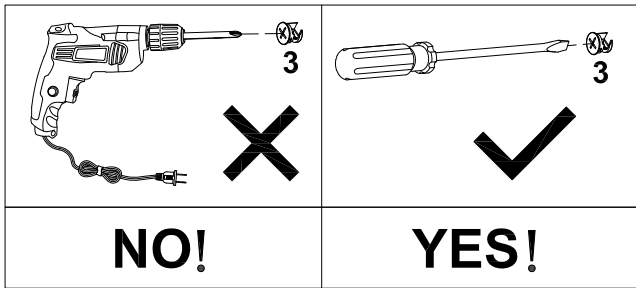
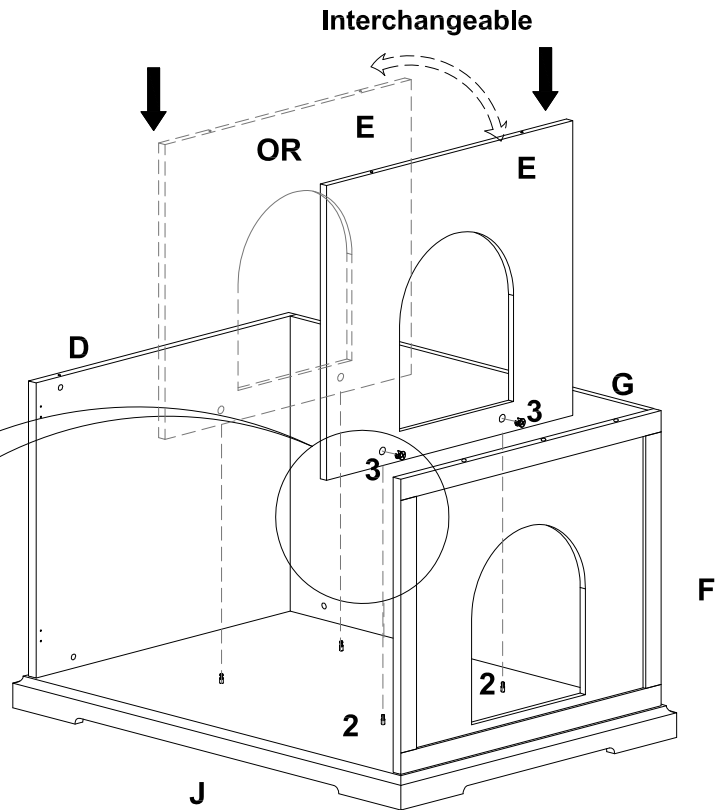
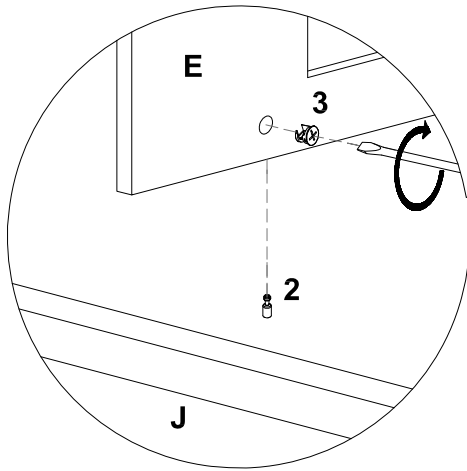
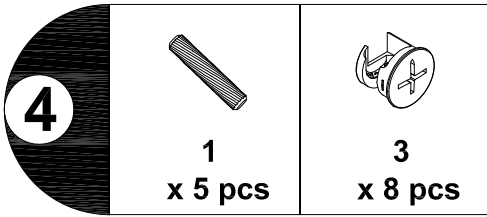
| | | | | |
|----------|---|---|---|---|
| 1 |  |  |  |  |
| | 1 x 6 pcs | 5 x 6 pcs | 7 x 4 pcs | 6 x 12 pcs |



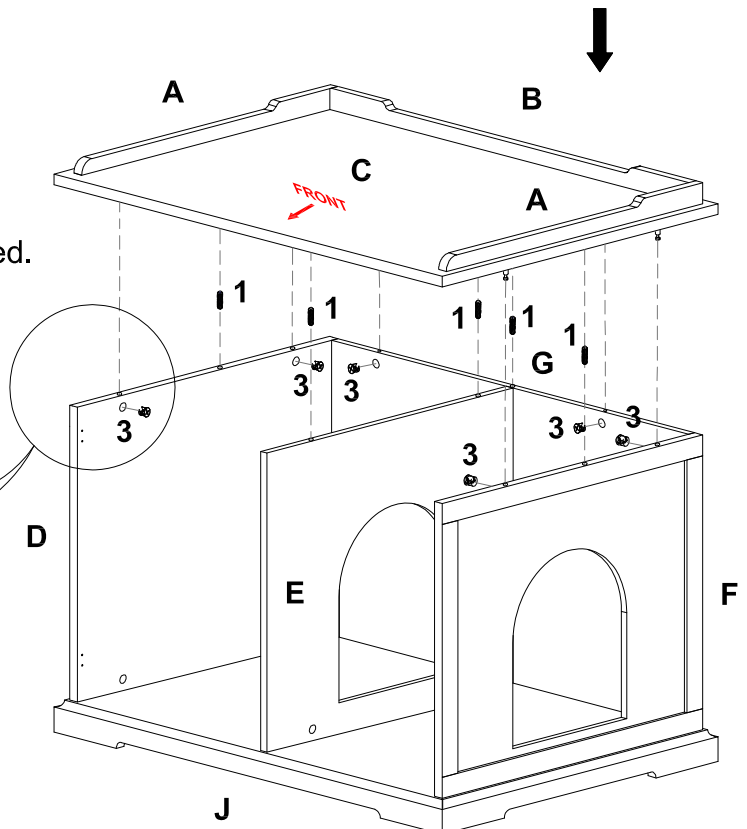
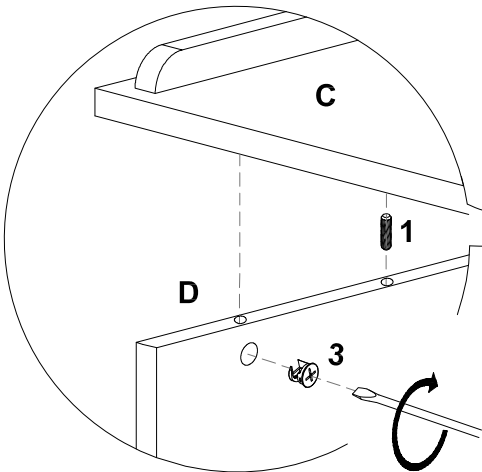
| | | | | |
|----------|---|---|---|---|
| 2 |  |  |  |  |
| | 1 x 3 pcs | 2 x 14 pcs | 4 x 2 pcs | 6 x 4 pcs |

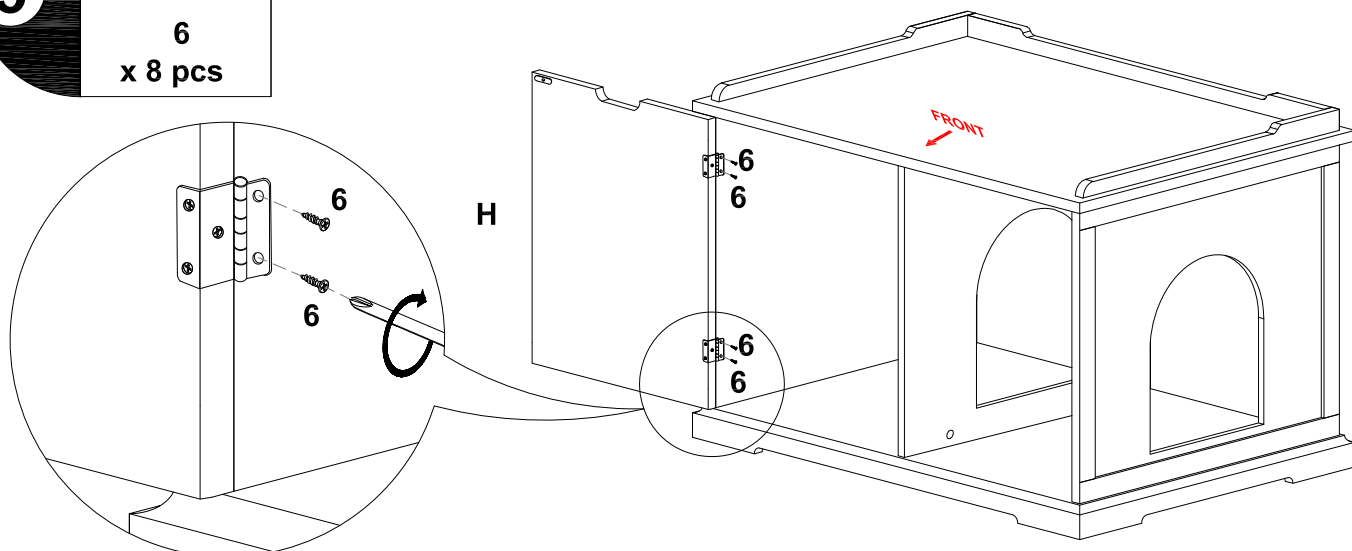
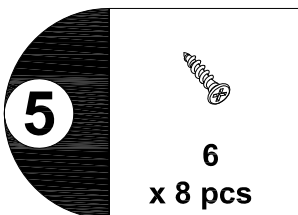




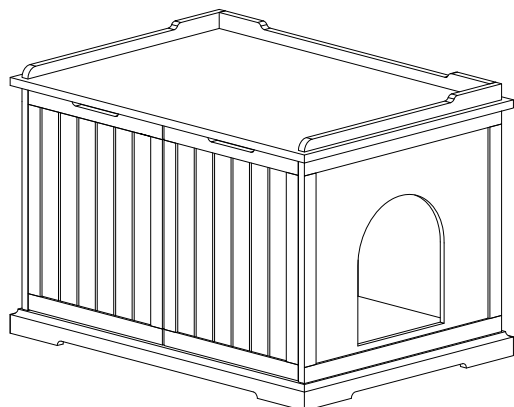
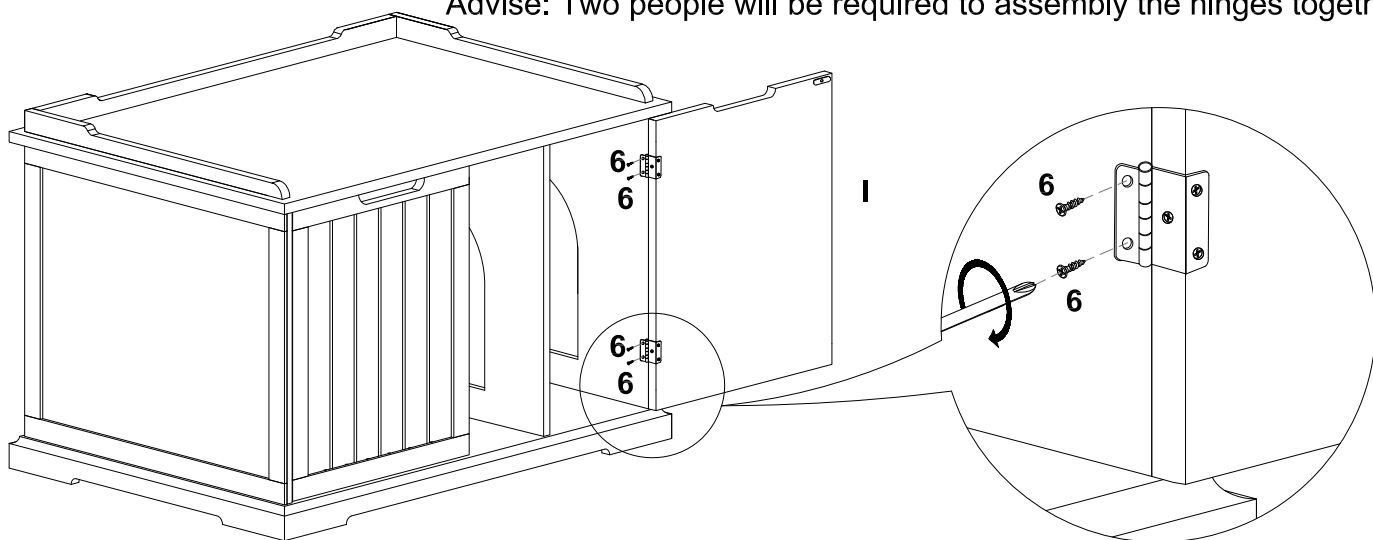


Advise: The short screw driver will be required.





Advise: Two people will be required to assembly the hinges together.



or

