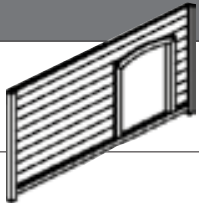
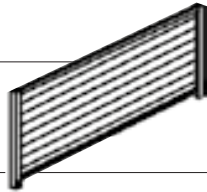
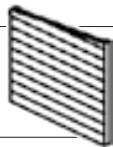
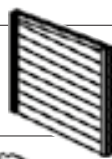




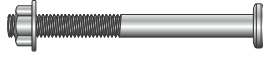


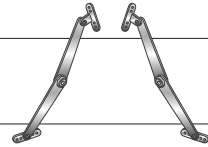





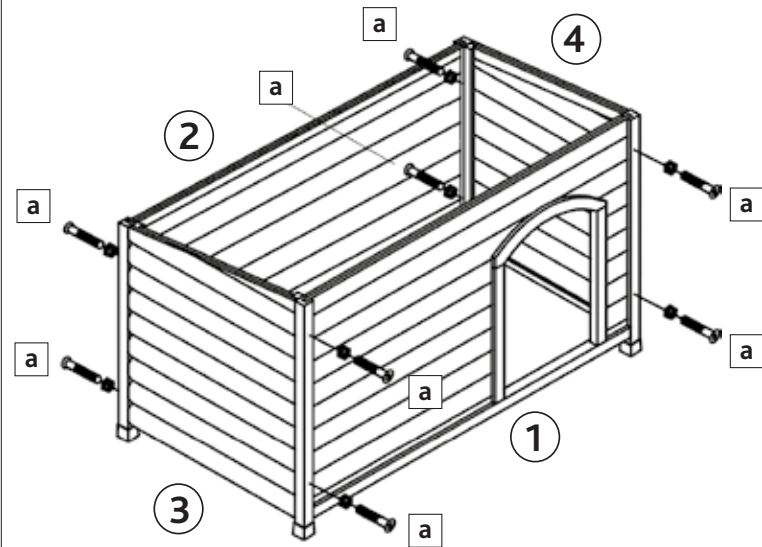
| Item No. | Description              | Color | Dimensions                                   |
|----------|--------------------------|-------|--|
| 39551    | natura Classic Dog House | brown | 33.25 x 22.75 x 23.5 inch<br>85 x 58 x 60 cm |

| Pos.   | Description   | Measurement in inch / mm                       | Quantity | Item no. |
|--------|---|--|----------|----------|
| Pos. 1 | Front part   | 30.5 x 21.5 x 1.25 in.<br>(780 x 550 x 35 mm)  | 1        | 39551-30 |
| Pos. 2 | Back wall    | 30.5 x 19.25 x 1.25 in.<br>(780 x 490 x 35 mm) | 1        | 39551-31 |
| Pos. 3 | Left side panel                                    | 1 x 18.25 x 17.75 in.<br>(30 x 465 x 455 mm)   | 1        | 39551-20 |
| Pos. 4 | Right side panel                                   | 1 x 18.25 x 17.75 in.<br>(30 x 465 x 455 mm)   | 1        | 39551-21 |
| Pos. 5 | Side floor plates, large                          | 18.75 x 0.75 x 10.5 in.<br>(477 x 20 x 268 mm) | 2        | 39551-10 |
| Pos. 6 | Center floor plate, small                        | 18.75 x 0.75 x 8 in.<br>(477 x 20 x 207 mm)    | 1        | 39551-11 |
| Pos. 7 | Roof   | 33.25 x 1.95 x 23.5 in.<br>(850 x 50 x 600 mm) | 1        | 39551-40 |
| Pos. 8 | Roof Connecting bar incl hinges                  | 29 x 1.75 x 1.25 in.<br>(738 x 45 x 35 mm)     | 1        | 39551-45 |
| Pos. a | Thread screw with nut                            | ø 0.236 x 2.362 in.<br>(M6 x 60 mm)            | 8+1      | 39551-60 |
| Pos. b | Countersunk screw                                | ø 0.137 x 1.181 in.<br>(ø 3.5 x 30 mm)         | 5+1      |          |
| Pos. c | Lenshead screw                                   | ø 0.157 x 0.629 in.<br>(ø 4 x 16 mm)           | 16+1     |          |
| Pos. d | Checkstrap, left/right  plus 8 screws C for each | 11 in.<br>(280 mm)                             | 1/1      |          |
| Pos. e | Countersunk screw                                | 0.118 x 0.629 in.<br>ø 3 x 14 mm               | 6+1      |          |

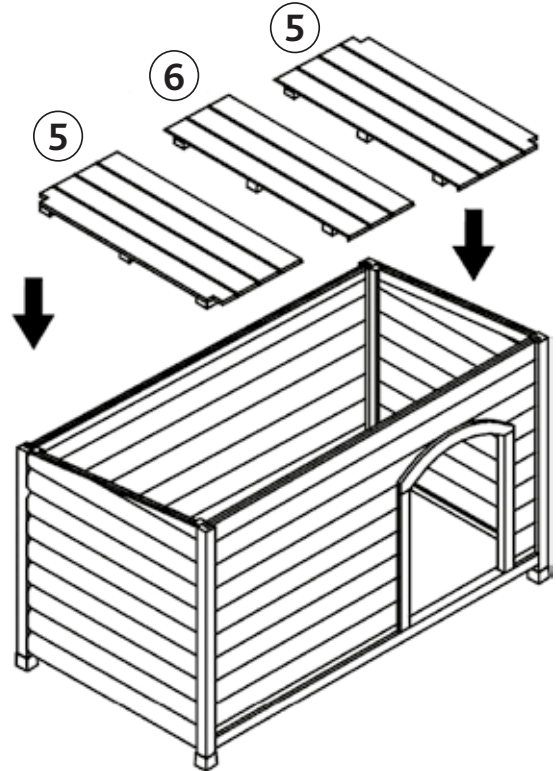
Other parts already assembled (spare parts separately available)

| Pos. | Description    | Measurement in inch / mm | Quantity | Item no. |
|------|----------------|--------------------------|----------|----------|
|      | Hinge for roof | 2.25 in.<br>(63 mm)      | 3        | 39551-60 |

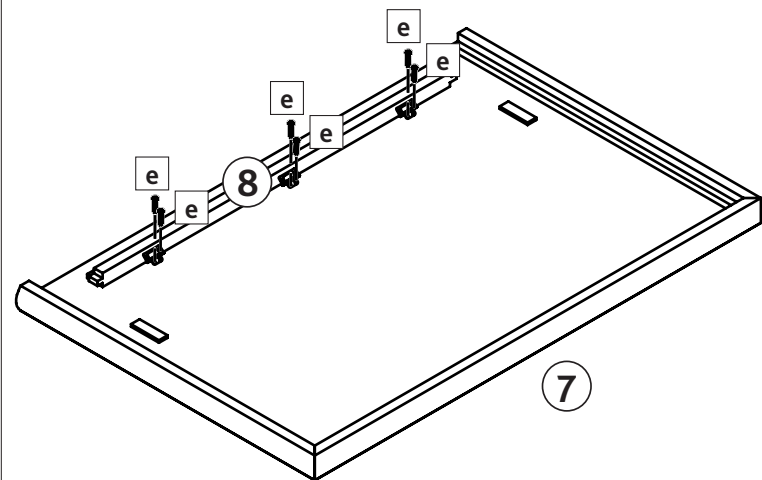
1. Screw the front part (Pos. 1) and the back wall (Pos. 2) together with the side panels (Pos. 3/4).



2. Now insert the floor plates (Pos. 5/6).



3. Fix the roof connecting bar (Pos. 8) to the top of the roof (Pos. 7).



4. Install the roof (Pos. 7) with the enclosed screws (Pos. b). Screw the check straps (Pos. d) to the inner sides of the roof and the side panels.

