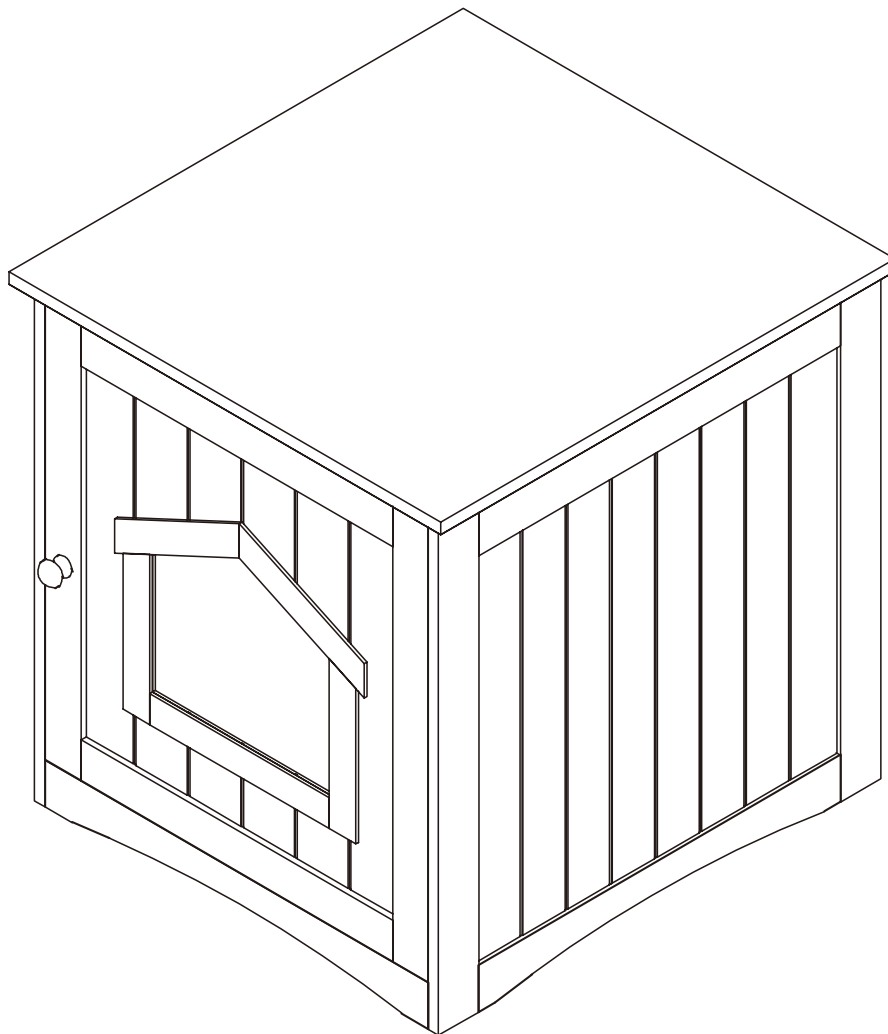
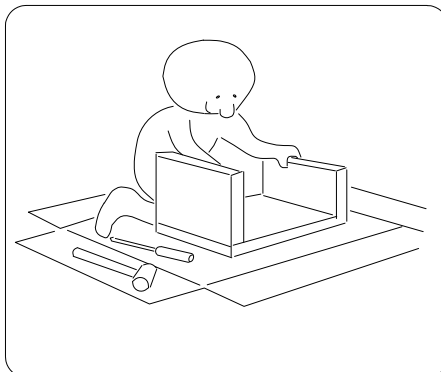
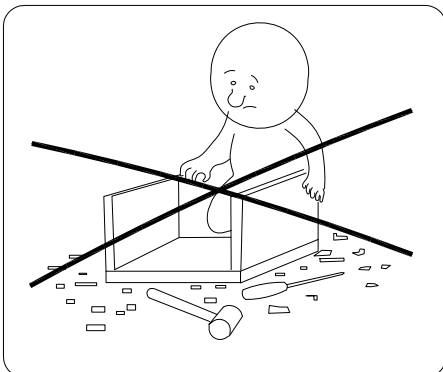
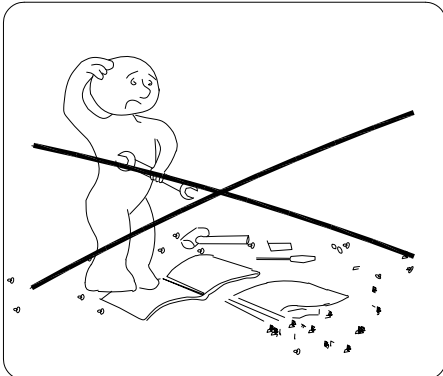
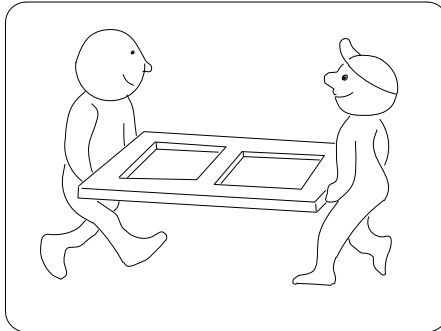
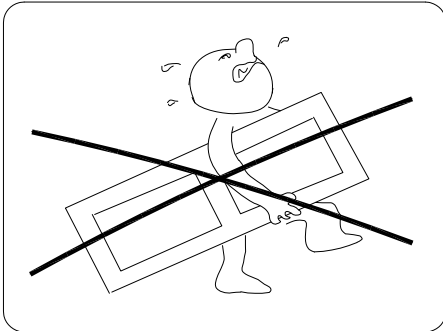
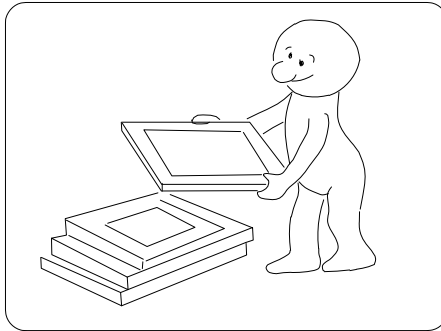
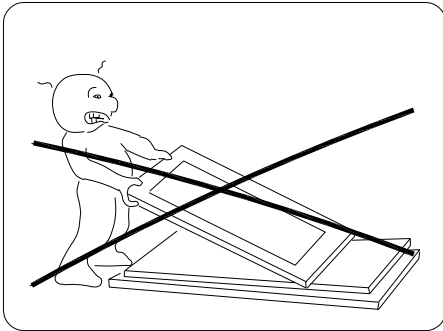
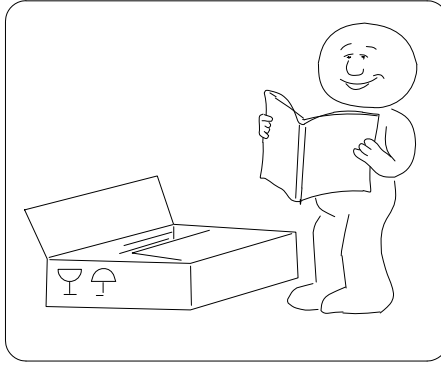
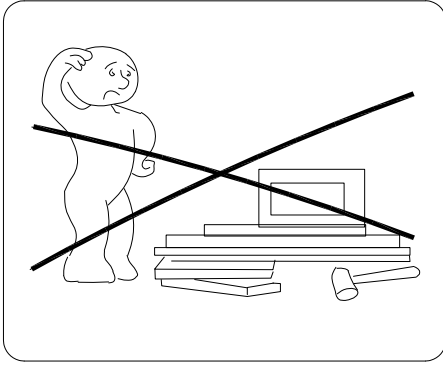




(EN) Assembly and Care Instruction
Wooden Pet House
or Litter Box Enclosure





⚠️ WARNINGS ⚠️

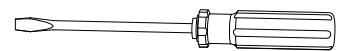
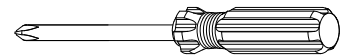
PLEASE READ BEFORE YOU BEGIN

- Do NOT use Power Tools.
- Do NOT tighten all bolts and screws until the entire unit has been assembled.
- Clean surface with a mild soap and damp cloth. Do not use harsh chemicals or cleaning abrasives as it will damage the surface.
- This product is intended for pets only. Do not sit or stand on unit.
- Do not allow children to play near working area.

ADVICE

1. Please read the instructions thoroughly.
2. Adult assembly required. Assembly is easier with two people.
3. Assemble on clean soft surface(s) to prevent scratching finish.
4. Identify all parts and hardware.
5. Screws of the door hinges can be adjusted as needed.
6. Read all instructions before assembling unit. Keep instructions for future use.
7. Upon completion of assembly - make sure all screws, bolts, and fasteners have been securely tightened.
8. Maximum weight for top is 120 pounds.
9. Please put the product on a smooth level surface after you assembled it.

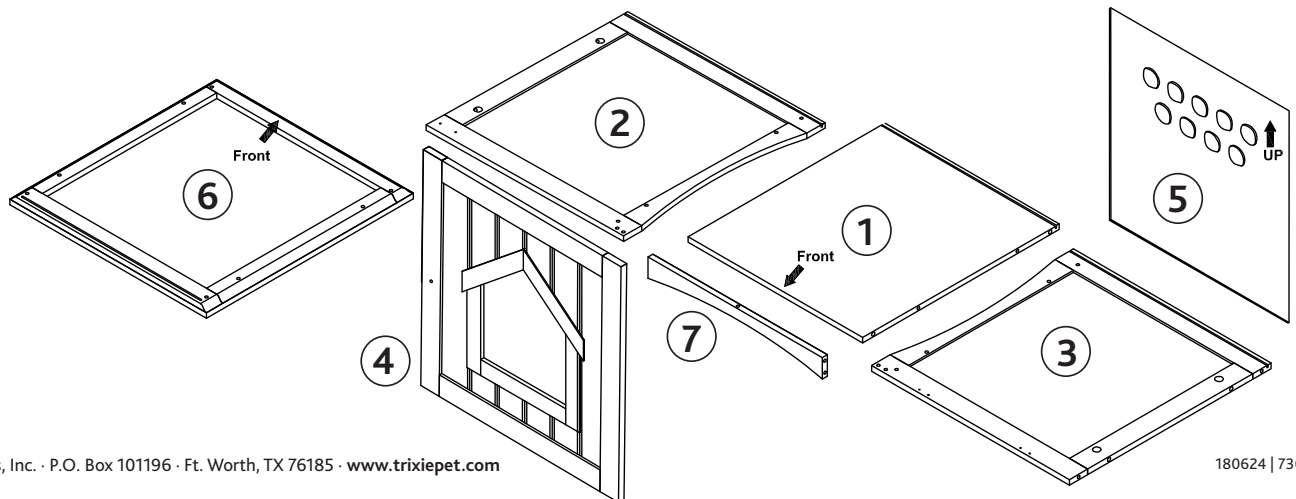
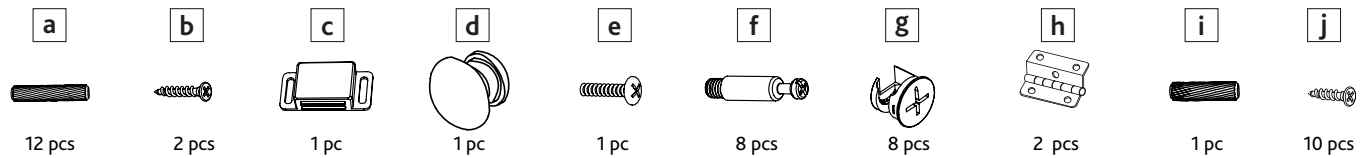
TOOL NEEDED




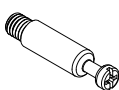

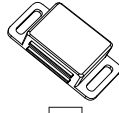
SCREWDRIVERS REQUIRED
- NOT INCLUDED

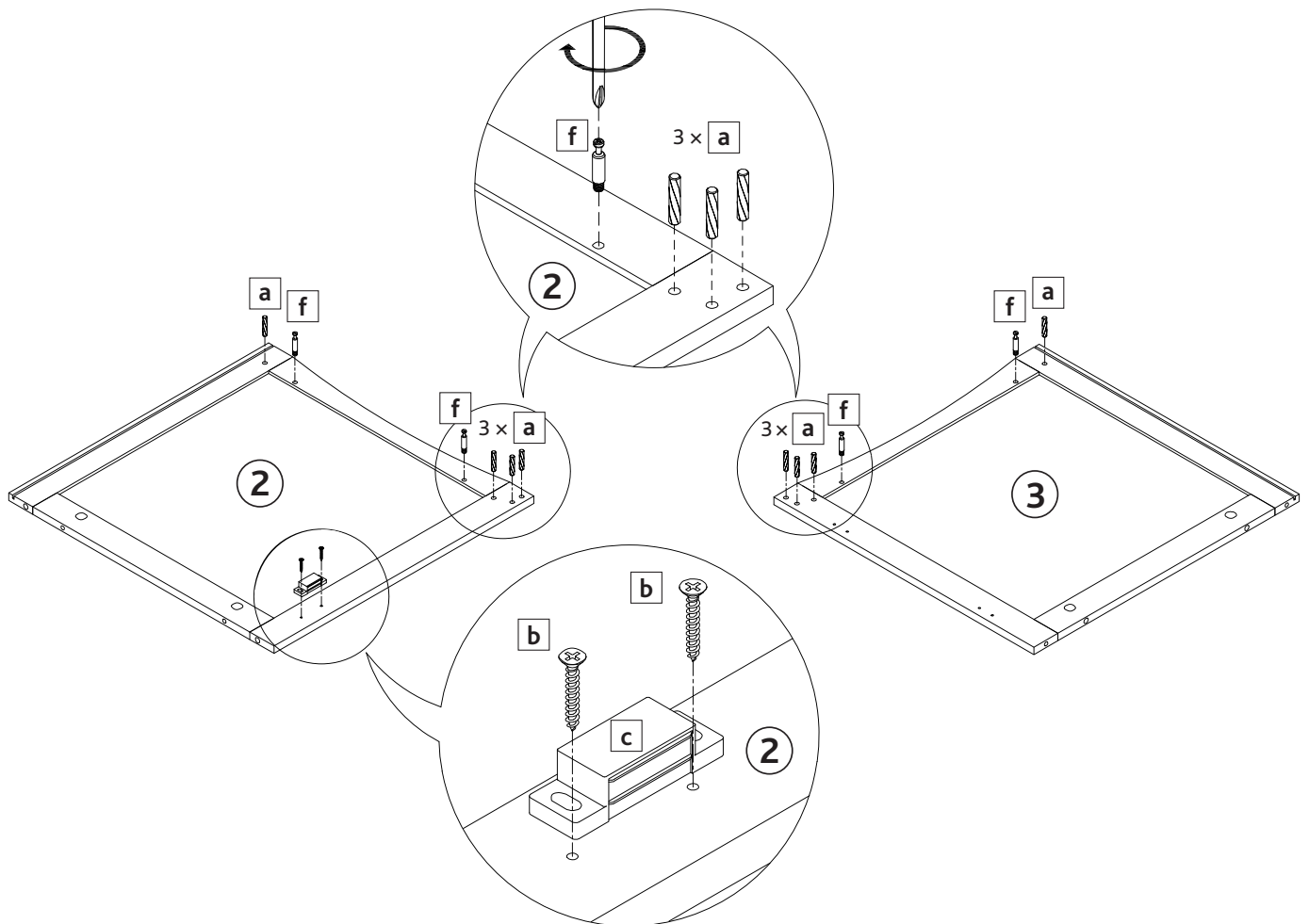
Item No.		Color	Dimensions	Color Code
4029	Wooden Pet House or Litter Box Enclosure	white	19.25 × 20 × 20 in. (49 × 51 × 51 cm)	0
		gray		1
		brown		2

Pos. No.	Description	Measurement	Quantity	Item No. -0	Item No. -1	Item No. -2
Pos. 1	Bottom plate	17 × 0.25 × 19.25 in. (432 × 12 × 492 mm)	1	40290-10	40291-10	40292-10
Pos. 2	Side panel, left	19 × 19.25 × 0.25 in. (485 × 494 × 12 mm)	1	40290-20	40291-20	40292-20
Pos. 3	Side panel, right	19 × 19.25 × 0.25 in. (485 × 494 × 12 mm)	1	40290-21	40291-21	40292-21
Pos. 4	Front Door plate	17 × 16.75 × 0.25 in. (437 × 427 × 12 mm)	1	40290-30	40291-30	40292-30
Pos. 5	Back Panel	17.25 × 17.25 × 0.11 in. (451 × 441 × 3 mm)	1	40290-40	40291-40	40292-40
Pos. 6	Top Panel	20 × 0.75 × 33.25 in. (510 × 24 × 485 mm)	1	40290-50	40291-50	40292-50
Pos. 7	End strip	17 × 1.25 × 0.25 in. (432 × 32 × 12 mm)	1	40290-51	40291-51	40292-51
Pos. a	Dovel, large	0.23 × 1 in. (ø 6 × 30 mm)	12	4029-60		
Pos. b	Countersunk screw	0.118 × 0.472 in. (M3 × 12 mm)	2			
Pos. c	Closing Latch, magnetic		1			
Pos. d	Knob		1			
Pos. e	Screw for Knob	0.157 × 0.708 in. (M4 × 18 mm)	1			
Pos. f	Bolt for Cam Lock	0.236 × 1.377 in. (M6 × 35 mm)	8			
Pos. g	Cam Lock	0.472 × 0.393 in. (ø 12 × 10 mm)	8			
Pos. h	Hinge		2			
Pos. i	Dovel, small	0.236 × 0.787 in. (ø 6 × 20 mm)	1			
Pos. j	Countersunk screw	0.118 × 0.393 in. (M3 × 10 mm)	10			

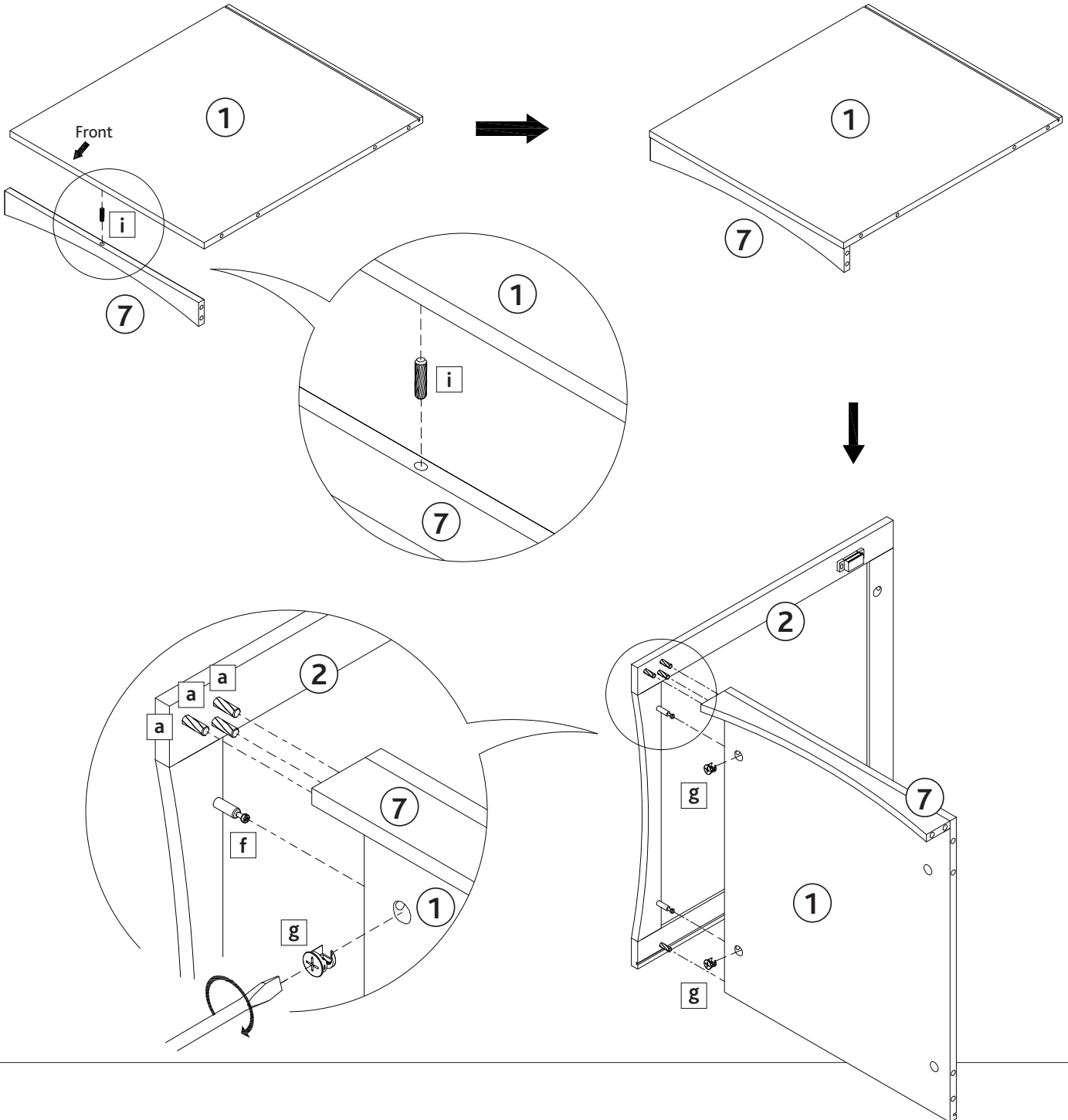
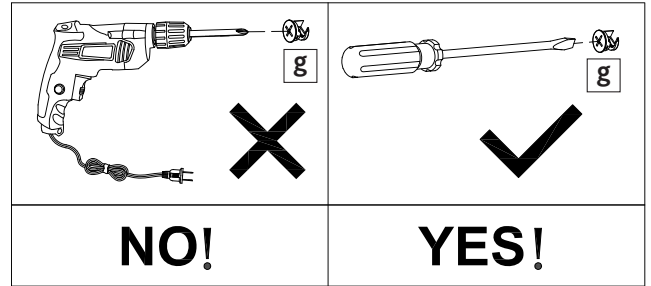
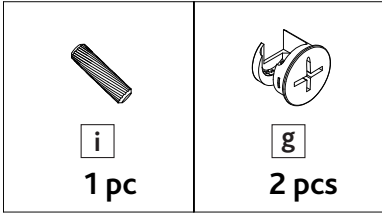


1.

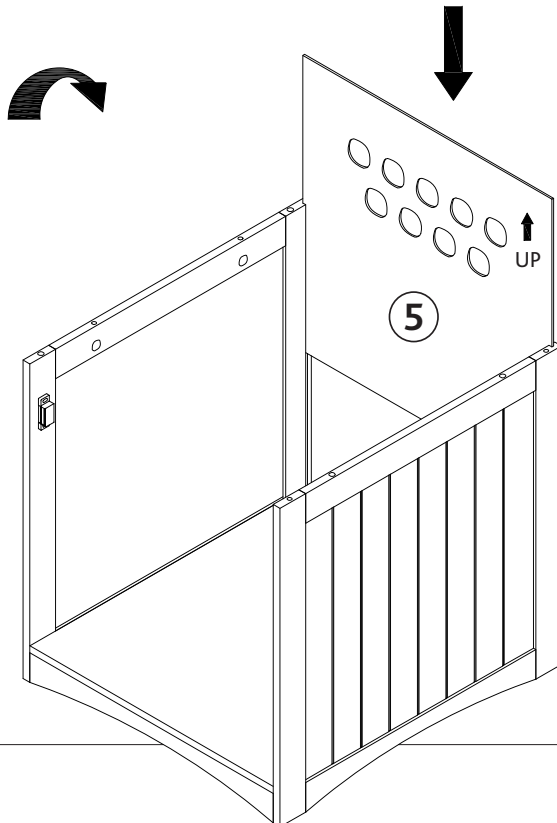
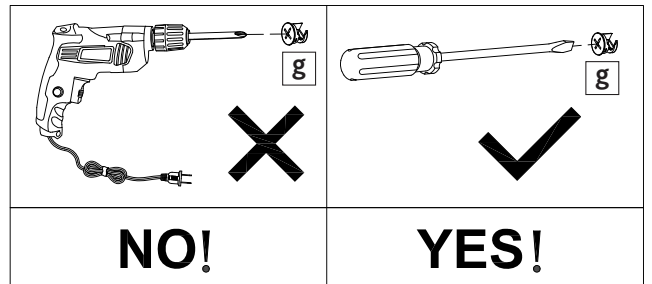
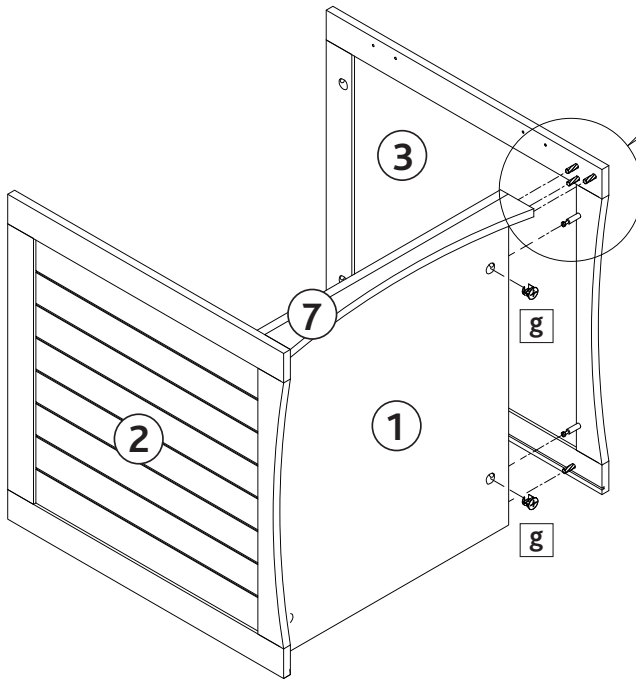
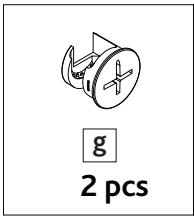
 a 8 pcs	 f 4 pcs	 b 2 pcs	 c 1 pc
---	---	---	--



2.

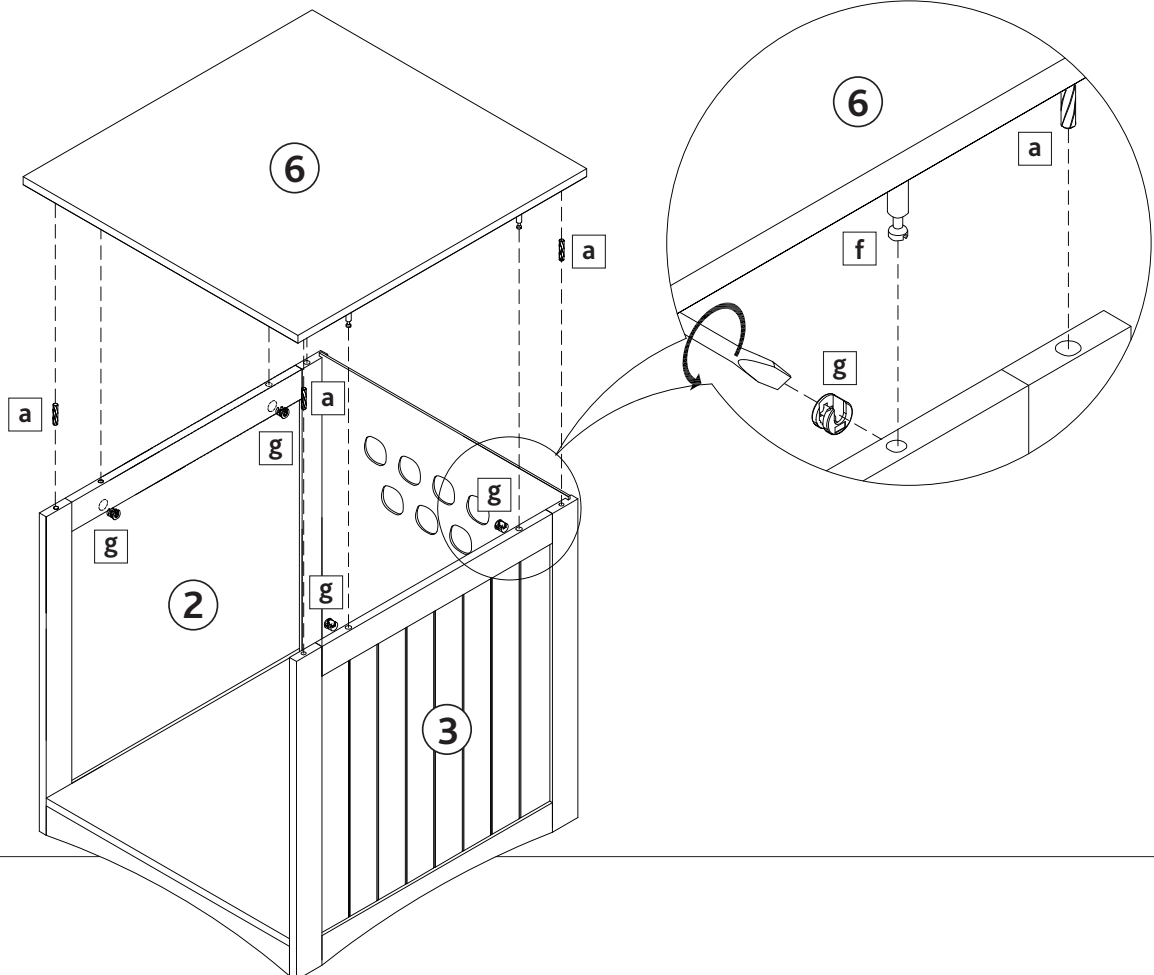
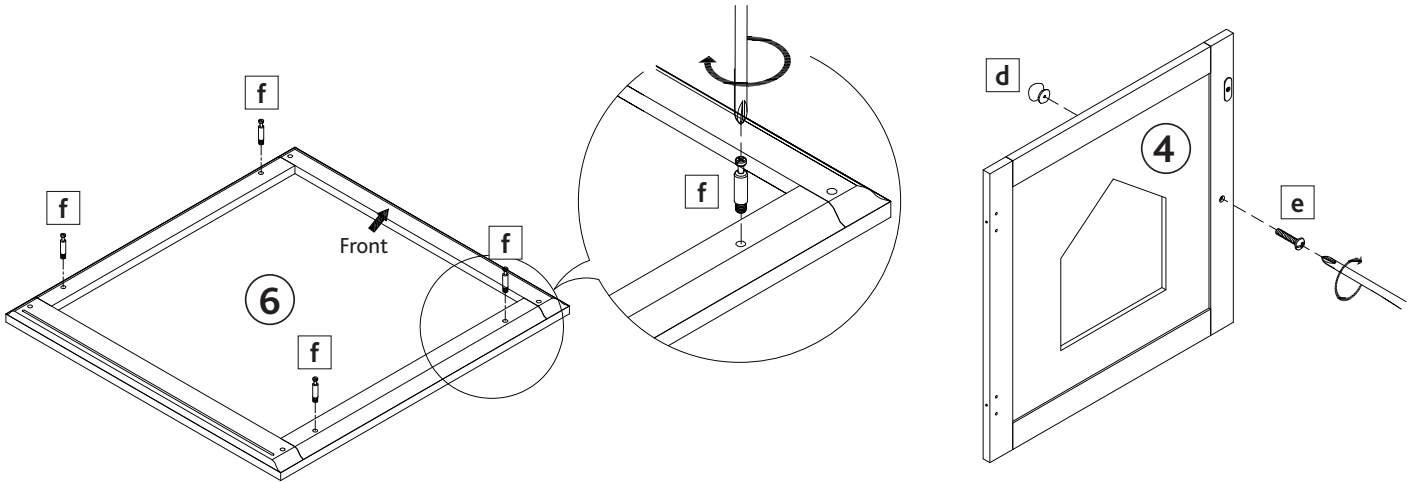


3.



4.

a	f	d	e	g
4 pcs	4 pcs	1 pc	1 pc	4 pcs



5.

