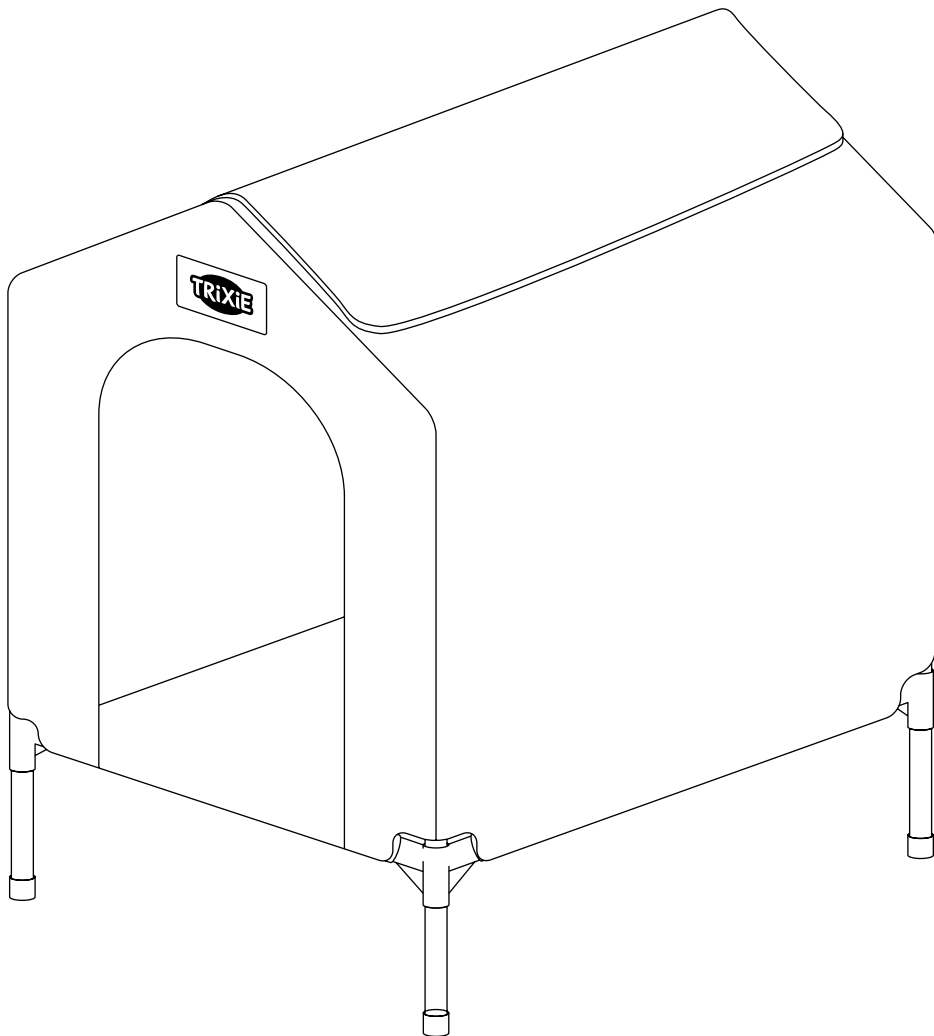


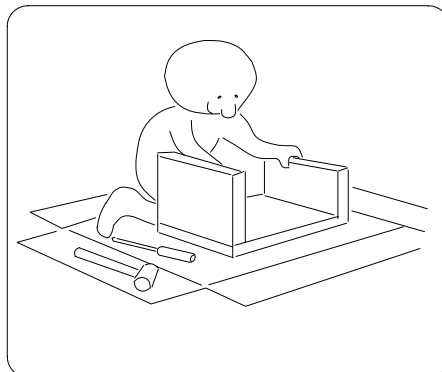
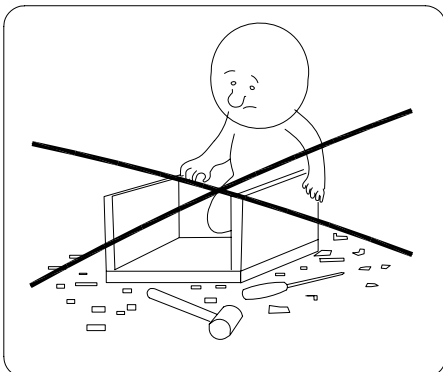
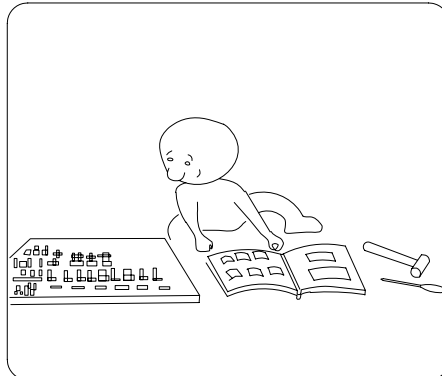
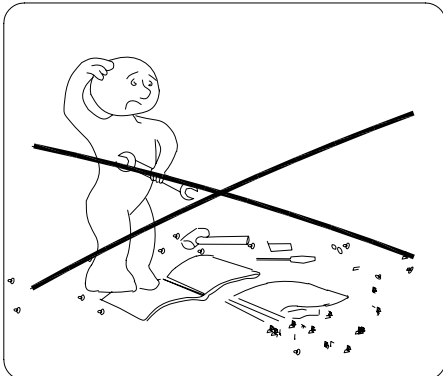
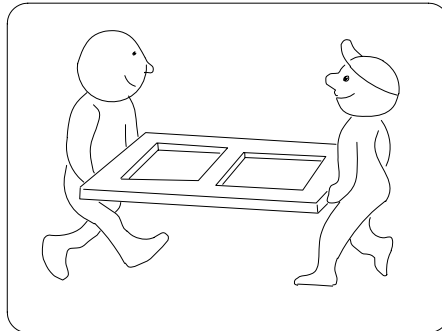
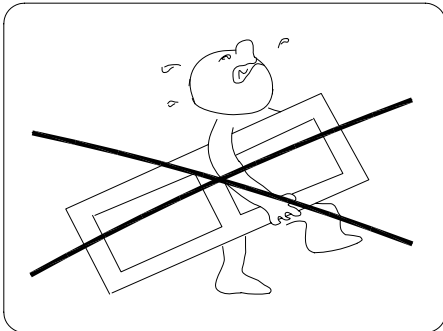
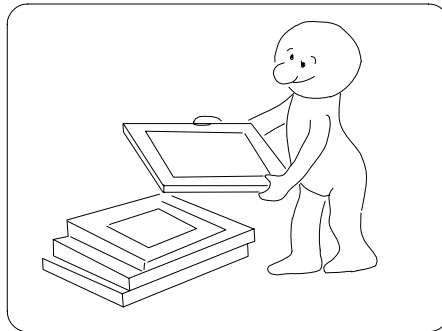
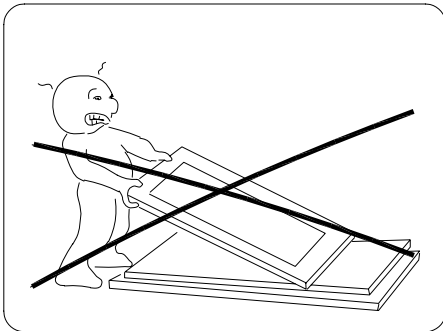
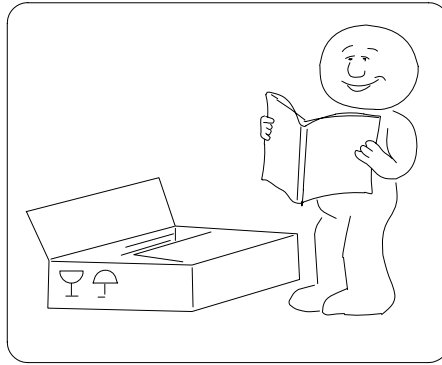
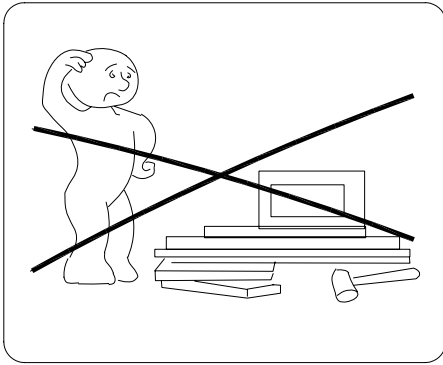


(EN) Assembly and Care Instruction
Elevated 2in1 Outdoor Dog House



Scan for
assembly video:





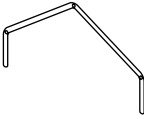
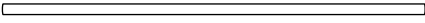

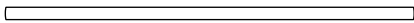
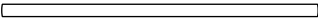
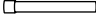

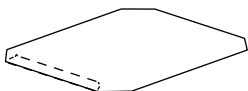
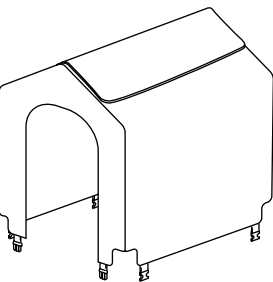
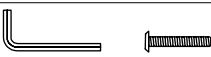
⚠️ WARNINGS ⚠️

PLEASE READ BEFORE YOU BEGIN

- Do NOT use Power Tools.
- Do NOT tighten all bolts and screws until the entire unit has been assembled.
- Clean surface with a mild soap and damp cloth. Do not use harsh chemicals or cleaning abrasives as it will damage the surface.
- This product is intended for pets only. Do not sit or stand on unit.
- Do not allow children to play near working area.

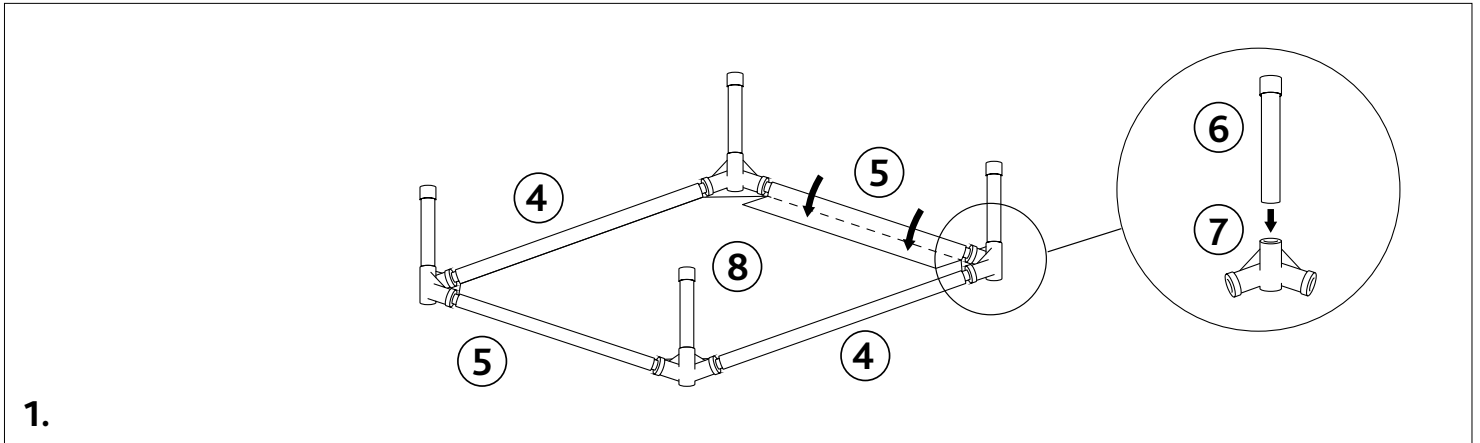
ADVICE

1. Please read the instructions thoroughly.
2. Adult assembly required. Assembly is easier with two people.
3. Assemble on clean soft surface(s) to prevent scratching finish.
4. Identify all parts and hardware.
5. Read all instructions before assembling unit. Keep instructions for future use.
6. Upon completion of assembly - make sure all screws have been securely tightened.
7. Maximum weight for top is 100 pounds.
8. Please put the product on a smooth level surface after you assembled it.

Item No.			Color	Dimensions	
28207	Elevated 2in1 Outdoor Dog House		gray	35.4 × 39.4 × 48.8 in. 90 × 100 × 124 cm	
Pos. No.	Description		Measurement	Quantity	Item no.
Pos. 1	Roof-shaped tubes		35.4 × 0.7 × 18.1 in. 900 × 19 × 460 mm	2	28208-10
Pos. 2	Tube for roof connection		37.8 × 0.7 in. 960 × 19 mm	3	28208-11
Pos. 3	Tube with white connections		24.8 × 0.7 in. 630 × 19 mm	4	28208-12
Pos. 4	Long tubes for bed		36.8 × 0.87 in. 935 × 22 mm	2	28208-20
Pos. 5	Short tubes for bed		21.7 × 0.87 in. 835 × 22 mm	2	28208-21
Pos. 6	Feet		6.3 × 0.87 in. 160 × 22 mm	4	28208-22
Pos. 7	3-way connections		2.6 × 2.6 × 2.8 in. 66 × 66 × 70 mm	4	28208-23
Pos. 8	Lying surface cover			1	28208-30
Pos. 9	Roof cover			1	28208-31
Pos. a	Screw		M0.3 × 1.2 in. M8 × 30 mm	6	28208-60

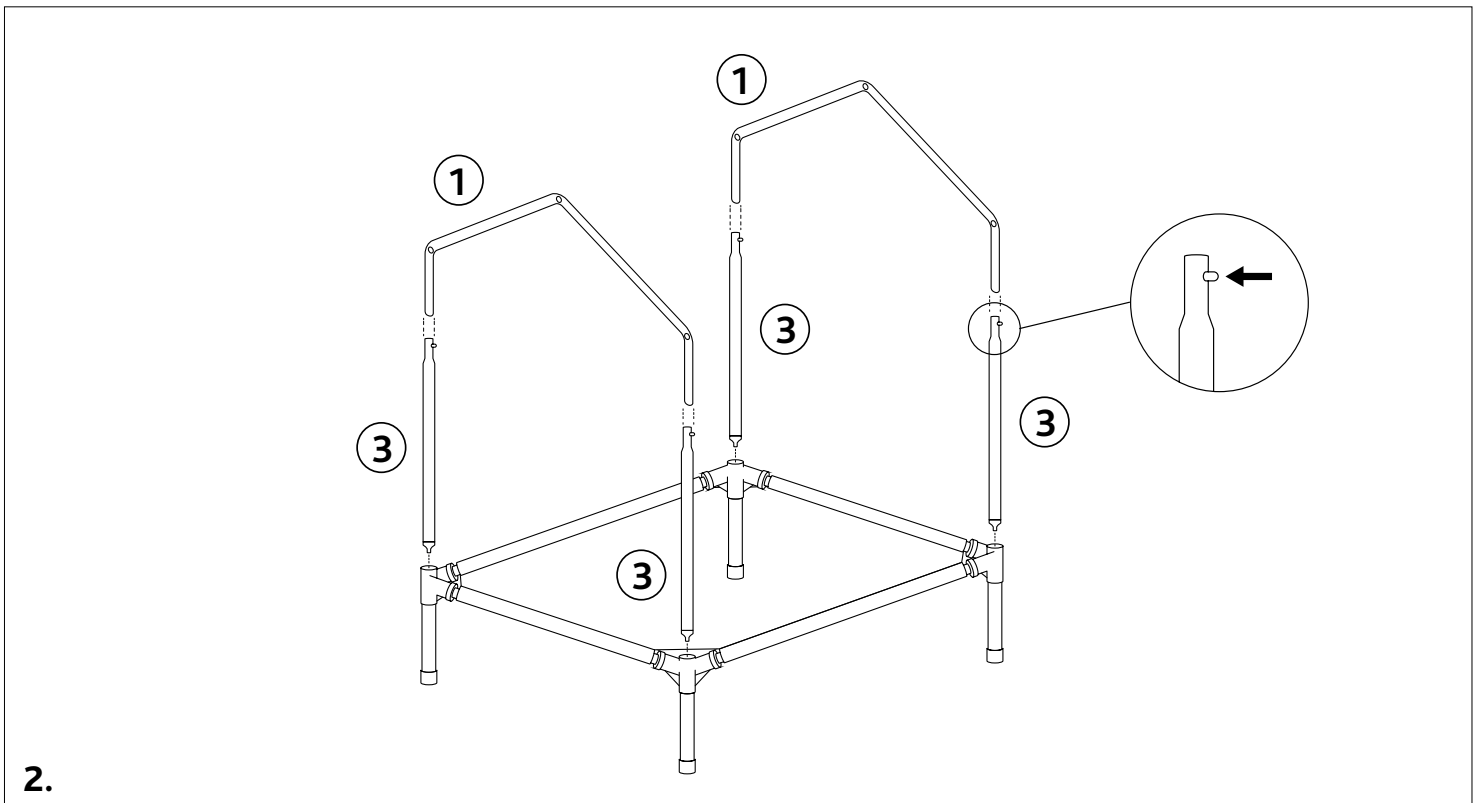
ADVICE

- Do not sit or stand on this product.
- It is intended for pets only.
- This product should be assembled by an adult.



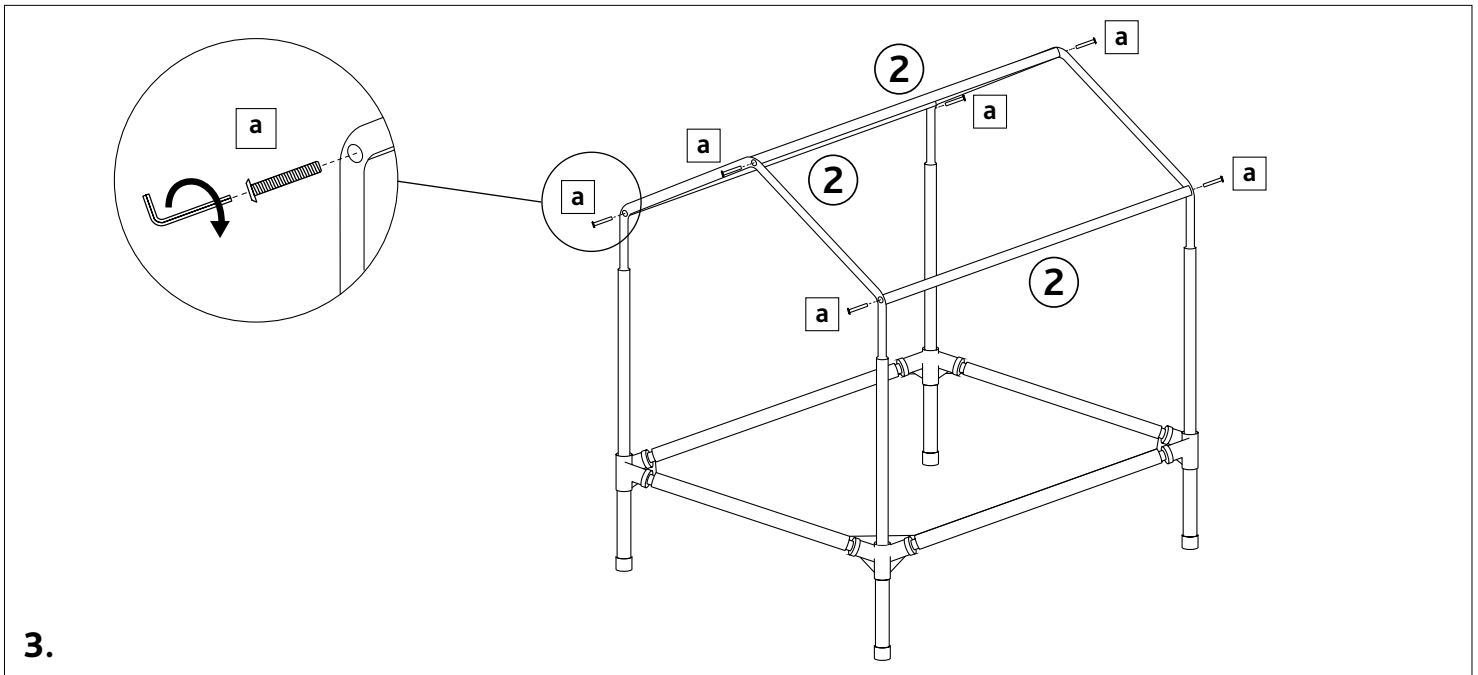
First Step:

- Place the lying surface (Pos. 8) with the hook-loop-fastener facing upwards.
- Insert the tubes (Pos. 4) into the long sleeves.
- Insert the tubes (Pos. 5) into the short sleeves.
- Insert the corner connectors (Pos. 7) into the four corners.
- Close the hook-loop-fasteners firmly.
- Insert the feet (Pos.6) into the corner connectors.



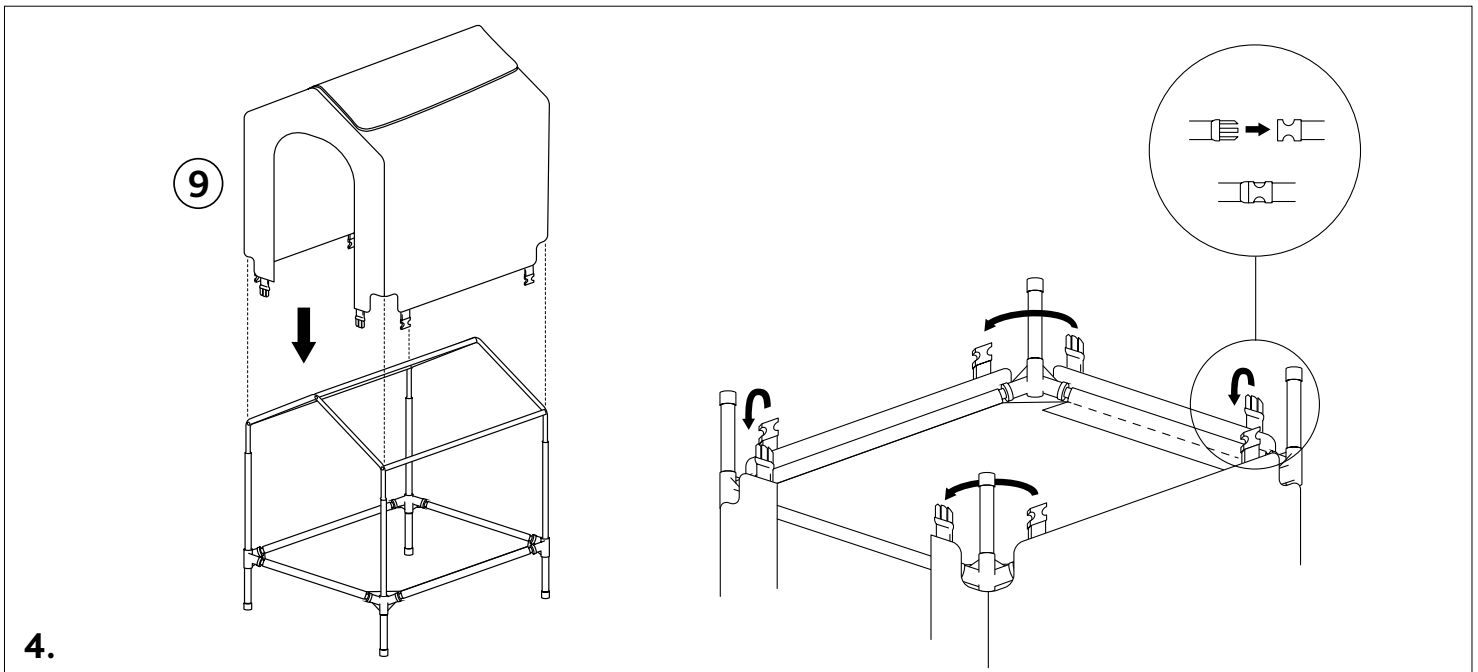
Second Step:

- Turn the lying surface.
- Insert the 4 tubes with the white plastic caps (Pos. 3) into the corner-connectors.
- Slide the roof tubes (Pos. 1) onto the tubes.
Caution: To do this, press down the spring button. The connection is secured when the spring button clicks into place.



Third Step:

- Fix the three tubes (Pos. 2) for the roof connection using the six screws (Pos. a) and the Allen key.



Final Step:

- Place the cover over the roof frame.
- Close the snap fasteners of the cover underneath the lying surface. Adjust the strap of the snap fasteners if necessary to bring the cover into position.